

MODEL FD-B
CURTAIN FIRE DAMPER
U.L. 555 CLASSIFIED 1-1/2 AND 3 HOURS
FOR USE IN STATIC SYSTEMS

Base UL Model: FD

Application and Design

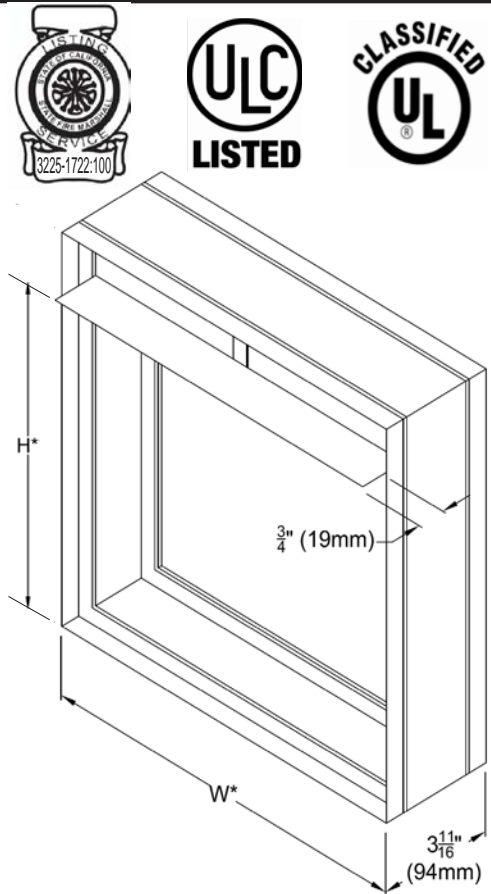
The Model FD-B is UL Classified for installation in walls, floors, and partitions with a fire rating of less than 3 hours. This damper may be installed vertically or horizontally in static HVAC systems that automatically shut down in the event of fire. (See optional 3 hr rating)

Standard Construction

- Frame:** Roll formed Frame - Galvanized Steel
- Blades:** Low Profile Roll Formed - Galvanized Steel
- Closure Springs (horizontal models only):** Stainless Steel constant force coil
- Fusible Link - UL-33:** UL Listed 165°F (Standard), 212°F (Optional)

Model FD-B meets or complies with the following as a fire damper:
All major building codes, including IBC/ICC International Code
UL 555 Listing 1-1/2 and 3 Hour - File #R25410
ULC S112
NFPA - 90A, 80

Note: Dampers are furnished Approx. 1/4" undersized as given duct dimensions, unless otherwise noted.



Standard Sizes (duct) 1-1/2 Hour		
Min. V or H	Max. Vertical Size	*Max. Horizontal Size
4" X 3" 102mm X 76mm	*120"W X 115"H 3048mm X 2921mm	*120"W X 36"H 3048mm X 914mm or 96"W X 43"H 2438mm X 1092mm

* May consist of multi-sections

Standard Sizes (duct) - 3 HR.	
Min. V or H	*Max. Vertical or Horizontal
4" X 3" 102mm X 76mm	*80"W X 36"H 2032mm X 914mm

* May consist of multi-sections

Options:

- Factory Sleeve:** _____ Ga, (20 Ga min.)
Sleeve Length: _____ inches
- Retaining Angles**
 - One Side
 - Both Sides
- 3 Hour Rating**

Mounting:

- Horizontal
- Vertical

Note: Due to continuing research, UE reserves the right to change specifications without notice.

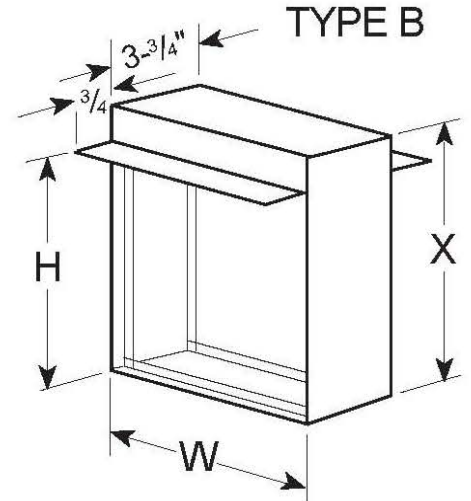
Job Name:	<input type="checkbox"/> MODEL FD-B		
Location:			
Architect:			
Engineer:	DRAWN BY: MAP	DATE: 09-05-06	REV. DATE: 02-10-10
Contractor:	REV. NO. 4	APPROVED BY: SDC	DWG. NO.: A-8



MODEL FD-B
 STATIC CURTAIN TYPE FIRE DAMPERS
 HORIZONTAL AND VERTICAL — 1¹/₂ & 3 HOUR
 FIRE DAMPER SIZE CHART

Duct Height "H"	"X" Dimension (Actual Size)
Inches	Inches
3	5
4	6
5	7
6	8
7	9
8	10
9	11
10	12
11	13
12	14
13	15
14	16
15	17
16	18
17	19
18	20
19	21
20	22
21	24
22	25
23	26
24	27
25	28
26	29
27	30
28	31
29	32
30	33
31	34
32	35
33	37
34	38
35	39
36	40
37	41
38	42
39	43
40	44
41	45
42	46
43	48
44	49
45	50
46	51
47	52
48	53
49	54
50	55
51	56
52	57
53	58
54	59
55	60
56	59
57	60
58	61
59	62
60	63
61	64

Duct Height "H"	"X" Dimension (Actual Size)
Inches	Inches
62	65
63	66
64	67
65	69
66	70
67	71
68	72
69	73
70	74
71	75
72	76
73	77
74	78
75	79
76	80
77	81
78	82
79	83
80	84
81	85
82	86
83	87
84	88
85	90
86	91
87	92
88	93
89	94
90	95
91	96
92	97
93	98
94	99
95	100
96	101
97	102
98	103
99	104
100	105
101	106
102	107
103	108
104	109
105	110
106	111
107	112
108	113
109	114
110	115
111	116
112	117
113	118
114	119
115	120



W = Width (Duct)
 H = Height (Duct)
 X = Variable (See Size Chart)

X = DAMPER HEIGHT