

MODEL FD-ALB

CURTAIN FIRE DAMPER
U.L. 555 CLASSIFIED 1-1/2 AND 3 HOURS
FOR USE IN STATIC SYSTEMS

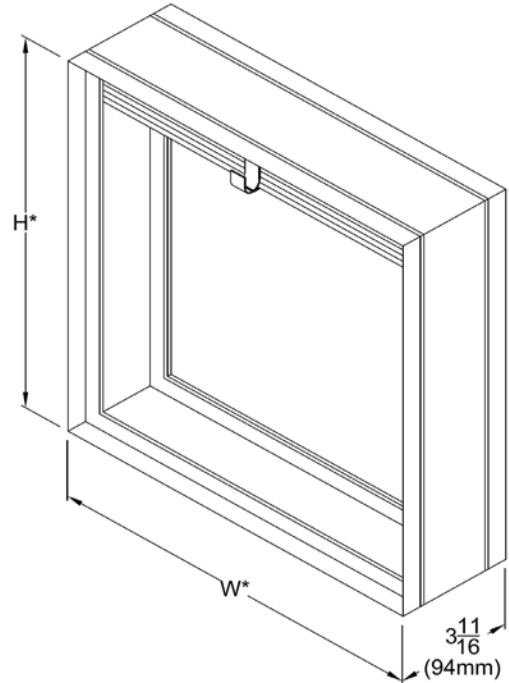
Base UL Model: FD

Application and Design

The Model FD-ALB is UL Classified for installation in walls, floors, and partitions with a fire rating of less than 3 hours. This damper may be installed vertically or horizontally in static HVAC systems that automatically shut down in the event of fire. (See optional 3 hr rating)

Standard Construction

- Frame:** Roll formed Frame - Galvanized Steel
- Blades:** Low Profile Roll Formed - Galvanized Steel
- Closure Springs** (horizontal models only): Stainless Steel constant force coil
- Fusible Link - UL-33:** UL Listed 165°F (Standard), 212°F (Optional)



Model FD-ALB meets or complies with the following as a fire damper:
All major building codes, including IBC/ICC International Code
UL 555 Listing 1-1/2 Hour - File #R25410
ULC S112
NFPA - 90A, 80

Note: Dampers are furnished Approx. 1/4" undersized as given duct dimensions, unless otherwise noted.

Standard Sizes (duct) 1-1/2 Hour		
Min. V or H	Max. Vertical Size	*Max. Horizontal Size
4" X 4" 102mm X 102mm	*120"W X 120"H 3048mm X 3048mm	*120"W X 40"H 3048mm X 1016mm OR 96"W X 48"H 2438mm X 1219mm

* May consist of multi-sections

Standard Sizes (duct) - 3 HR.	
Min. V or H	*Max. Vertical or Horizontal
4" X 4" 102mm X 102mm	*80"W X 40"H 2032mm X 1016mm

* May consist of multi-sections

Options:

- Factory Sleeve:** _____ Ga, (20 Ga min.)
Sleeve Length: _____ inches
- Retaining Angles**
 - One Side
 - Both Sides
- 3 Hour Rating**
- Mounting:**
 - Horizontal
 - Vertical

Note: Due to continuing research, UE reserves the right to change specifications without notice.

Job Name:	<input type="checkbox"/> MODEL FD-ALB		
Location:			
Architect:			
Engineer:			
Contractor:			
	DRAWN BY: MAB	DATE: 09-05-06	REV. DATE: 02-10-10
	REV. NO. 3	APPROVED BY: SDC	DWG. NO.: A-7