

MODEL FD-A-3V (Single Blade)

CURTAIN FIRE DAMPER
U.L. 555 CLASSIFIED 1-1/2 HOURS
FOR USE IN STATIC SYSTEMS

Application and Design

The Model FD-A-3V is UL Classified for installation in walls, floors, and partitions with a fire rating of less than 3 hours. This damper may be installed horizontally or vertically in static systems that shut down in the event of fire.



Standard Construction

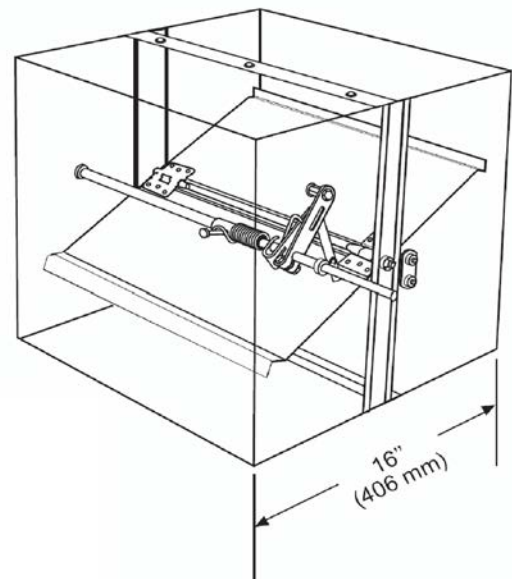
- Frame:** Roll formed Frame - Galvanized Steel - Integral Sleeve
- Blades:** 16 Ga. Galvanized Steel
- Axles:** 3/8" square plated steel
- Linkage:** Jackshaft to blade
- Bearings:** Bronze Oilite press-fit into frame
- Closure Spring:** Stainless Steel
- Fusible Link - UL-33:** UL Listed 165°F (Standard), 212°F (Optional)

Model FD-A-3V meets or complies with the following as a fire damper:
All major building codes, including IBC/ICC International Code
UL 555 Listing 1-1/2 Hour - File #R25410
ULC S112
NFPA - 90A, 80

Note: Due to continuing research, UE reserves the right to change specifications without notice.

Note: Dampers are furnished Approx. 1/8" (3.2mm) smaller than given duct dimensions.

High Free Area / Low Pressure Drop



Standard Sizes (duct) 1-1/2 hr & 3 hr

Min. Size	Max. Size
8"W X 8"H 203mm X 203mm	16"W X 16"H 406mm X 406mm

Options:

- Retaining Angles:
 - One Side
 - Both Sides
- Mounting:
 - Horizontal
 - Vertical

Job Name:	<input type="checkbox"/> MODEL FD-A-3V		
Location:			
Architect:			
Engineer:	DRAWN BY: MAB	DATE: 11-07-07	REV. DATE: 10-24-08
Contractor:	REV. NO. 6	APPROVED BY: SDC	DWG. NO.: A-32