



# MODEL FD-110-3V

MULTI-BLADE FIRE DAMPER  
U.L. 555 CLASSIFIED 1-1/2 AND 3 HOURS  
FOR USE IN STATIC SYSTEMS

### Application and Design

The Model FD-110-3V is UL Classified for installation in walls, floors, and partitions with a fire rating of less than 3 hours. This damper may be installed horizontally or vertically in static systems that shut down in the event of fire. (See optional 3 hr rating)

### Standard Construction

**Frame:** 5" Roll formed Frame - Galvanized Steel hat-section  
W/ staked corners & integral bracing

**Blades:** 16 Ga. Roll formed - Galvanized Steel  
min. width: 4-1/4" (108mm)  
max. width: 7-1/4" (184mm)

**Axles:** square plated steel

**Linkage:** Concealed in frame. Linkage bars are 1/8" (3.2mm)

**Bearings:** Bronze Oilite press-fit into frame

**Closure Spring:** Stainless Steel

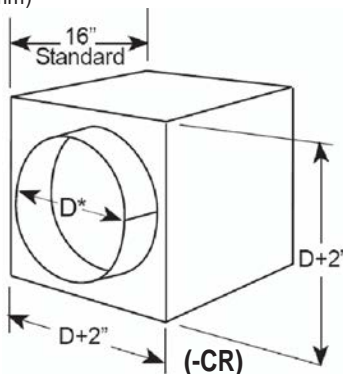
**Fusible Link - UL-33:** UL Listed 165°F (Standard),  
212°F (Optional)

**Manual Locking Quadrant -**

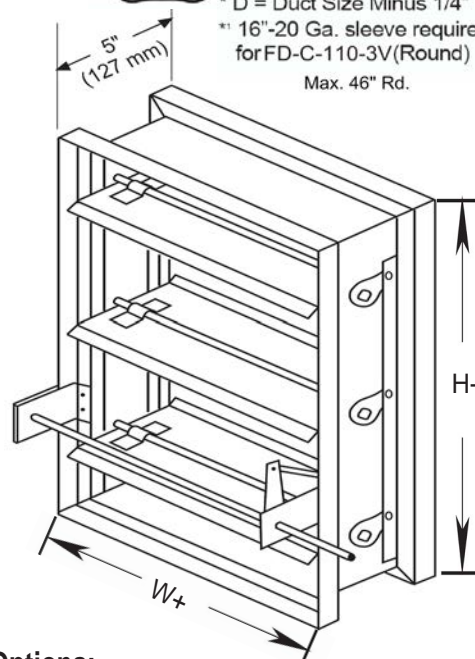
(may be required for inspection)

Model FD-110-3V meets or complies with the following as a fire damper:  
All major building codes,  
including IBC/ICC International Code  
UL 555 Listing 1-1/2 and 3 Hour - File #R25410  
ULC S112  
NFPA - 90A, 80

**Multi-Section, EFL, OR PFV Options will require actuators to be installed on the damper.**



\* D = Duct Size Minus 1/4"  
\*\* 16"-20 Ga. sleeve required for FD-C-110-3V(Round)  
Max. 46" Rd.



### Options:

- Factory Sleeve: \_\_\_\_\_ Ga (18 Ga min.)
- Sleeve Length: \_\_\_\_\_ Inches
- Retaining Angles
- 3 Hour Rating
- Round Transitions (FD-110-3V Round)
- Out of Wall Const. Available (See dwg. A-36 inst.)
- EFL (Electric Fusible Link)\*
- PFV (Pneumatic Fusible Valve)\*
- 250° - 350° (Actuator Req.)
- Mounting:
  - Horizontal
  - Vertical

\*Option provides quick and economical way to check damper operations and also provide a Systematic Closure Control. Option PFV allow damper operation without the need/cost for an EP valve and electrical connection at the damper.

Note: Due to continuing research, UE reserves the right to change specifications without notice.

### Standard Sizes (duct) 1-1/2 HR.

Min. V or H	*Max. Vertical Size	*Max. Horizontal Size
6" X 6" 152mm X 152mm	108"W X 96"H 2743mm X 2438mm	72"W X 48"H 1828mm X 1219mm

\* May consist of multi-sections

### Standard Sizes (duct) 3 HR.

Min. V or H	*Max. Vertical or Horizontal Size
6" X 6" 152mm X 152mm	72"W X 48"H 1828mm X 1219mm

\* May consist of multi-sections

+ Note: Non-sleeved (with side plate) dampers are furnished Approx. 1/4" (6.4mm) smaller than given duct dimensions. Sleeved dampers are furnished Approx. the same size as given duct dimension, unless otherwise noted.

Job Name:

Location:

Architect:

Engineer:

Contractor:

- MODEL FD-110-3V
- MODEL FD-110-3V-OW (Out of Wall)
- MODEL FD-110-3V-CR (Round)

DRAWN BY:  
MAB

DATE:  
11-06-07

REV. DATE:  
9-19-08

REV. NO.  
6

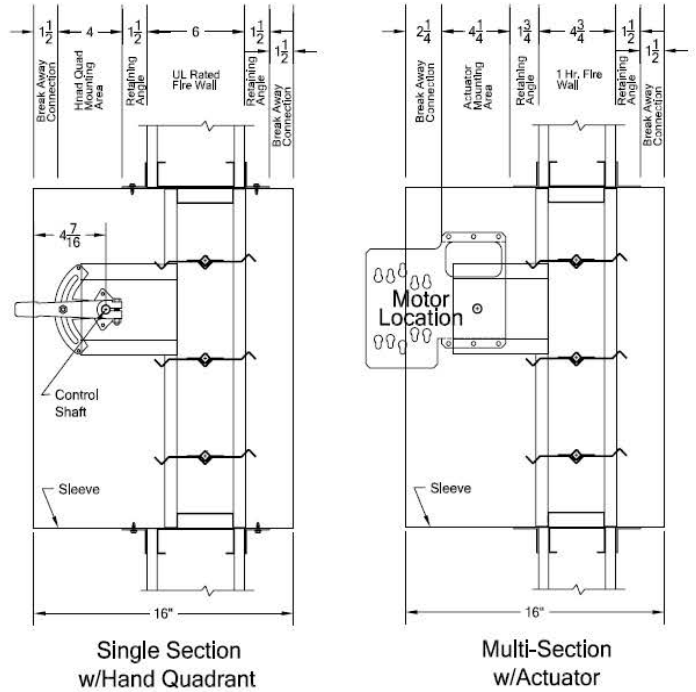
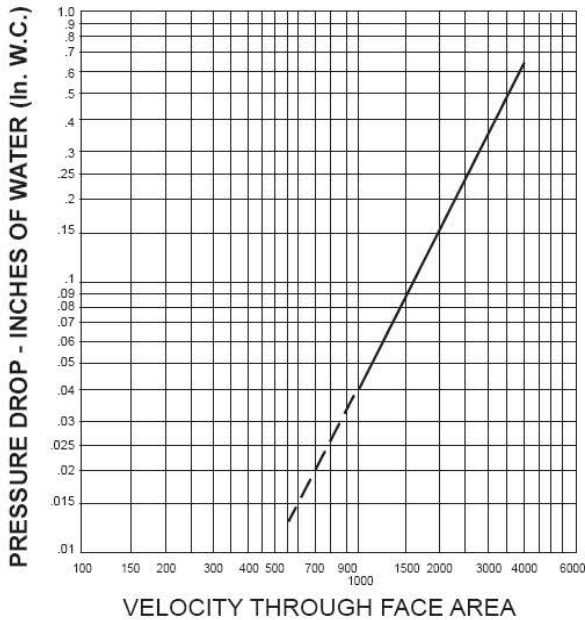
APPROVED BY:  
SDC

DWG. NO.:  
A-28

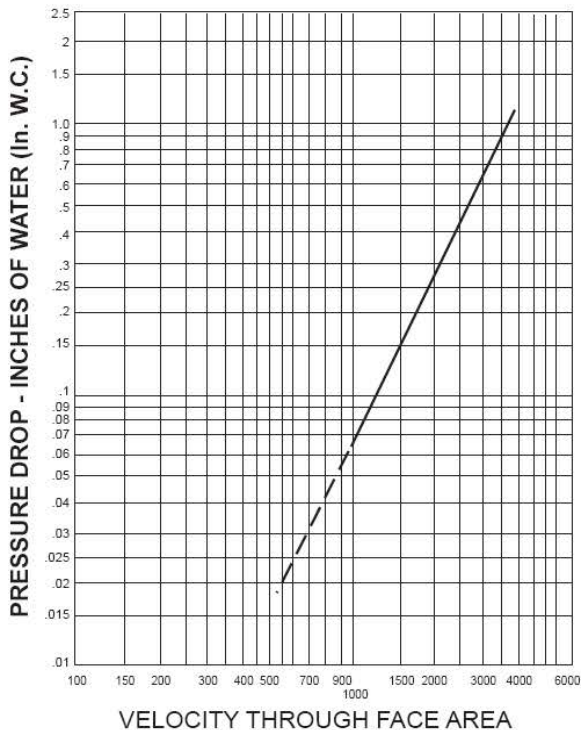
## PERFORMANCE DATA

Pressure drop testing was done by an independent laboratory to AMCA Standard 500-D, Fig. 5.3 ductwork upstream & downstream.

**DAMPER SIZE 36 x 36**



**DAMPER SIZE 24 x 24**



**DAMPER SIZE 12 X 12**

