

MODEL FD-SB

CURTAIN FIRE DAMPER
U.L. 555 CLASSIFIED 1-1/2 AND 3 HOURS
FOR USE IN STATIC SYSTEMS

Base UL Model: FD



Application and Design

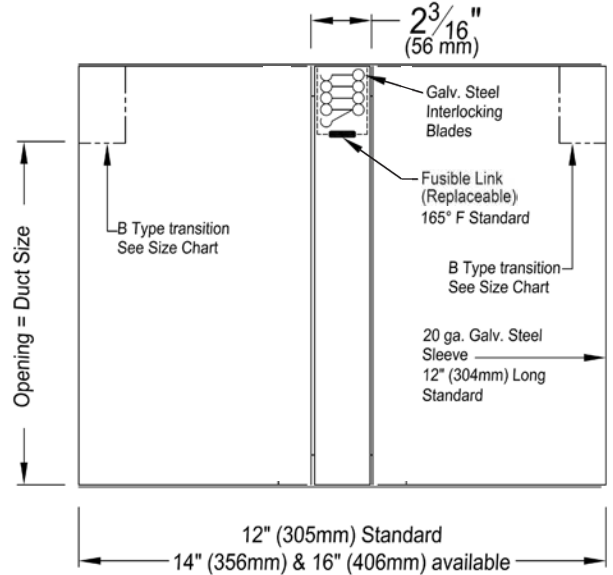
The Model FD-SB is UL Classified for installation in walls, floors, and partitions with a fire rating of less than 3 hours. This damper may be installed vertically or horizontally in static HVAC systems that automatically shut down in the event of fire. (See optional 3 hr rating)

Standard Construction

- Frame:** 12" Roll formed Frame - Galvanized Steel - Integral Sleeve
- Blades:** Low Profile Roll Formed - Galvanized Steel
- Closure Springs** (horizontal models only): Stainless Steel constant force coil
- Fusible Link - UL-33:** UL Listed 165°F (Standard), 212°F (Optional)

Model FD-SB meets or complies with the following as a fire damper:
All major building codes, including IBC/ICC International Code
UL 555 Listing 1-1/2 and 3 Hour - File #R25410
ULC S112
NFPA - 90A, 80

Note: Refer to installation instructions for required opening in fire rated barrier.



Standard Sizes (duct) 1-1/2 Hour		
Min. V or H	*Max. Vertical Size	*Max. Horizontal Size
6" X 4" 152mm X 101mm	96"W X 91"H 2438mm X 2311mm	80"W X 36"H 2032mm X 914mm

* May consist of multi-sections

Standard Sizes (duct) - 3 HR.		
Min. V or H	*Max. Vertical	*Max. Horizontal
6" X 4" 152mm X 101mm	80"W X 36"H 2032mm X 914mm	80"W X 36"H 2032mm X 914mm

* May consist of multi-sections

Options:

- Retaining Angles
 - One Side
 - Both Sides
- 3 Hour Rating
- Mounting:
 - Horizontal
 - Vertical

Note: Dampers are furnished Approx. given duct dimensions, unless otherwise noted.

Note: Due to continuing research, UE reserves the right to change specifications without notice.

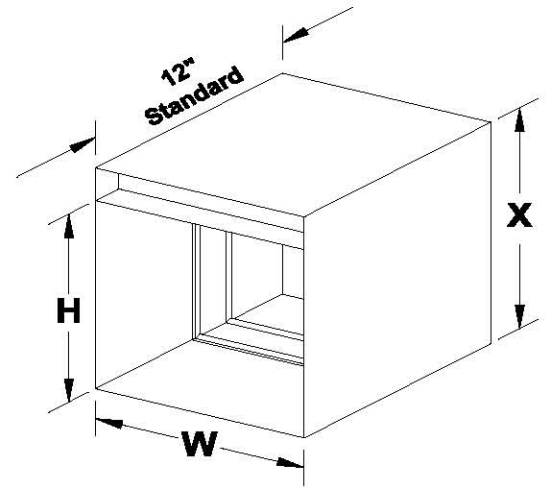
Job Name:	<input type="checkbox"/> MODEL FD-SB		
Location:			
Architect:			
Engineer:	DRAWN BY: MAB	DATE: 09-05-06	REV. DATE: 2-10-10
Contractor:	REV. NO. 6	APPROVED BY: SDC	DWG. NO.: A-2



MODEL FD-SB
STATIC CURTAIN INTEGRAL SLEEVE FIRE DAMPERS
HORIZONTAL AND VERTICAL — 1¹/₂ HOUR AND 3 HOUR
FIRE DAMPER SIZE CHART

Duct Height (H)	Type "B" Damper Height (X)
Inches	Inches
3	5
4	6
5	7
6	8
7	9
8	10
9	11
10	12
11	13
12	14
13	15
14	16
15	17
16	18
17	19
18	20
19	21
20	22
21	24
22	25
23	26
24	27
25	28
26	29
27	30
28	31
29	32
30	33
31	34
32	35
33	37
34	38
35	39
36	40
37	41
38	42
39	43
40	44
41	45
42	46
43	48

Type B



W = Width (Duct)

H = Height (Duct)

X = Variable (See Size Chart)