

# MODEL FD-ACHP

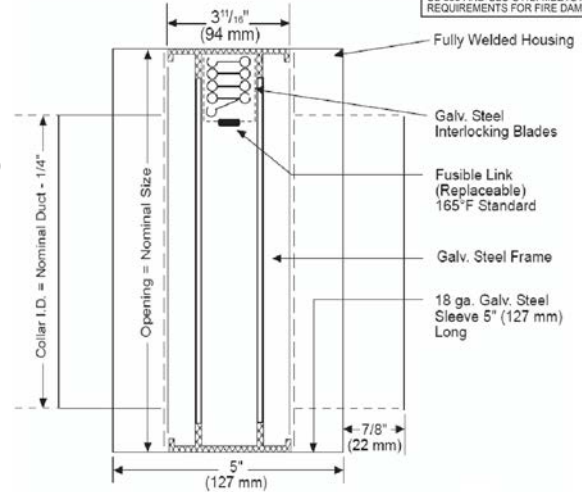
## CURTAIN FIRE DAMPER - WELDED

U.L. 555 CLASSIFIED 1-1/2 AND 3 HOURS  
FOR USE IN STATIC SYSTEMS (UP TO 12" STATIC PRESSURE)

Base UL Model: FD



DESIGNED AND TESTED IN ACCORDANCE WITH UL-555 AND ULC-S112. MEETS ALL NFPA-90A REQUIREMENTS FOR FIRE DAMPERS.



### Application and Design

The Model FD-ACHP is UL Classified for installation in walls, floors, and partitions with a fire rating of less than 3 hours. This damper may be installed vertically or horizontally in static systems that shut down in the event of fire. (See optional 3 hr rating)

### Standard Construction

**Frame:** Roll formed Frame - Galvanized Steel

**Blades:** Low Profile Roll Formed - Galvanized Steel

**Closure Springs (horizontal models only):** Stainless Steel constant force coil

**Fusible Link - UL-33:** UL Listed 165°F (Standard), 212°F (Optional)

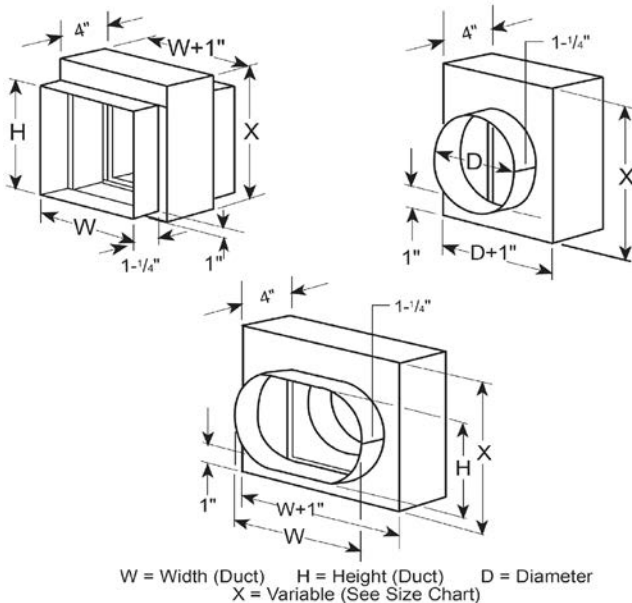
**Sleeve:** 5" (127mm) X 18 Ga Steel

Model FD-ACHP meets or complies with the following as a fire damper:  
All major building codes, including IBC/ICC International Code  
UL 555 Listing 1-1/2 & 3 Hour - File #R25410  
ULC S112  
NFPA - 90A, 80

Note: Dampers are furnished Approx. 1/4" undersized as given duct dimensions, unless otherwise noted.

These dampers are rated for duct pressure static leakage. Leakage through damper is not rated.

Dampers are sealed via fully welded sleeve and transition.



Standard Sizes (duct) 1-1/2 hr & 3 hr

Transition	Min. V or H	*Max. Vertical Size	*Max. Horizontal
Rectangular or Oval	4" X 3" 102mm X 76mm	*48"W X 48"H 1219mm X 1219mm	*48"W X 48"H 1219mm X 1219mm
Round	4" 102mm	42" 1067mm	35" 889mm

\* May consist of multi-sections

### Options:

- Factory Sleeve: \_\_\_\_\_ Ga (18 Ga min)  
Sleeve Length: \_\_\_\_\_ Inches
- Retaining Angles
  - One Side \_\_\_\_\_
  - Both Sides \_\_\_\_\_
- 3 Hour Rating
- Mounting:
  - Horizontal
  - Vertical

Job Name: \_\_\_\_\_

Location: \_\_\_\_\_

Architect: \_\_\_\_\_

Engineer: \_\_\_\_\_

Contractor: \_\_\_\_\_

**MODEL FD-ACHP**

Rectangular  
 Round  
 Oval

100% Free Area

DRAWN BY: MAB	DATE: 11-06-07	REV. DATE: 02-10-10
REV. NO. 6	APPROVED BY: SDC	DWG. NO.: A-19