

MODEL FDD-BSL

SLIMLINE CURTAIN FIRE DAMPER

U.L. 555 CLASSIFIED 1-1/2 AND 3 HOURS
FOR USE IN DYNAMIC OR STATIC SYSTEMS

Base UL Model: FDD-SL

Application and Design

The Model FDD-BSL is UL Classified for installation in walls, floors, and partitions with a fire rating of less than 3 hours. This damper may be installed vertically or horizontally in dynamic HVAC systems that continue to operate in the event of fire. Also approved for static systems. (See optional 3 hr rating)

Standard Construction

- Frame:** Roll formed Frame - Galvanized Steel
- Blades:** Low Profile Roll Formed - Galvanized Steel
- Closure Spring:** Stainless Steel constant force coil
- Fusible Link - UL-33:** UL Listed 165°F (Standard), 212°F (Optional)
- Maximum Velocity:** 2000 FPM (10.2 M/S)
- Maximum Pressure:** 4" WG (1KPA)

Model FDD-BSL meets or complies with the following as a fire damper:
All major building codes, including IBC/ICC International Code
UL 555 Listing 1-1/2 and 3 Hour - File #R25410
ULC S112
NFPA - 90A, 80

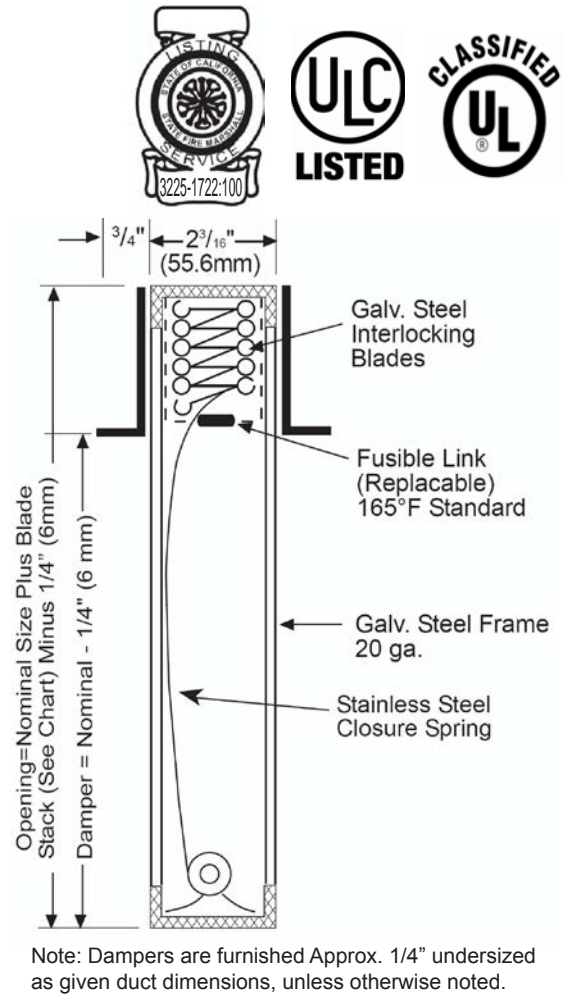
SIZE CHART

Duct Height	Type "B" Damper Height
Inches	Inches
3	5
4	6
5	7
6	8
7	9
8	10
9	11
10	12
11	13
12	14
13	15
14	16
15	17
16	18
17	19
18	20
19	21
20	22
21	24
22	25
23	26
24	27
25	28
26	29
27	30
28	31
29	32
30	33
31	34
32	35

Options:

- Factory Sleeve:** _____ Ga, (20 Ga min.)
Sleeve Length: _____ Inches
- Retaining Angles**
 - One Side _____
 - Both Sides _____
- 3 Hour Rating**
- Mounting:**
 - Horizontal
 - Vertical

Note: Due to continuing research, UE reserves the right to change specifications without notice.



Standard Sizes (duct) 1-1/2 & 3 Hour		
Min. V or H	*Max. Vertical Size	*Max. Horizontal
6" X 4" 152mm X 101mm	72"W X 32"H 1829mm X 813mm	36"W X 32"H 914mm X 813mm

*Multi-Section may be required

Job Name: Location: Architect: Engineer: Contractor:	<input type="checkbox"/> MODEL FDD-BSL (Slimline)						
	<table border="1" style="width: 100%;"> <tr> <td style="width: 33%;">DRAWN BY: MAB</td> <td style="width: 33%;">DATE: 10-25-07</td> <td style="width: 33%;">REV. DATE: 02-10-10</td> </tr> <tr> <td>REV. NO. 4</td> <td>APPROVED BY: SDC</td> <td>DWG. NO.: A-17</td> </tr> </table>	DRAWN BY: MAB	DATE: 10-25-07	REV. DATE: 02-10-10	REV. NO. 4	APPROVED BY: SDC	DWG. NO.: A-17
DRAWN BY: MAB	DATE: 10-25-07	REV. DATE: 02-10-10					
REV. NO. 4	APPROVED BY: SDC	DWG. NO.: A-17					