

**MODEL FDD-C**  
CURTAIN FIRE DAMPER  
U.L. 555 CLASSIFIED 1-1/2 AND 3 HOURS  
FOR USE IN DYNAMIC OR STATIC SYSTEMS



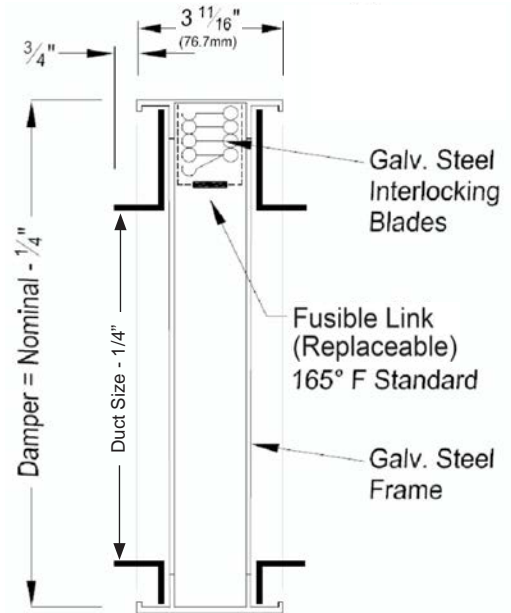
**Application and Design**

The Model FDD-C is UL Classified for installation in walls, floors, and partitions with a fire rating of less than 3 hours. This damper may be installed vertically or horizontally in dynamic HVAC systems that continue to run in the event of fire. Also approved for static systems. (See optional 3 hr rating)

**Standard Construction**

- Frame:** Roll formed Frame - Galvanized Steel
- Blades:** Low Profile Roll Formed - Galvanized Steel
- Closure Springs:** Stainless Steel constant force coil
- Fusible Link - UL-33:** UL Listed 165°F (Standard), 212°F (Optional)
- Maximum Velocity:** 2000 FPM (10.2 M/S)
- Maximum Pressure:** 4" WG (1KPA)

Model FDD-C meets or complies with the following as a fire damper:  
All major building codes, including IBC/ICC International Code  
UL 555 Listing 1-1/2 and 3 Hour - File #R25410  
ULC S112  
NFPA - 90A, 80



**Options:**

- Factory Sleeve: \_\_\_\_\_ Ga, (20 Ga min.)  
Sleeve Length: \_\_\_\_\_ inches
- Retaining Angles
  - One Side \_\_\_\_\_
  - Both Sides \_\_\_\_\_
- 3 Hour Rating
- Taped & Sealed Transition for Medium Pressure System
- Caulked & Sealed Damper Frame/Sleeve
- Mounting:
  - Horizontal
  - Vertical

Note: Dampers are furnished Approx. 1/4" undersized as given duct dimensions, unless otherwise noted.

Standard Sizes (duct) 1-1/2 HR. & 3 HR.		
Min. V or H	Max. Vertical Size	*Max. Horizontal Size
5" X 3" 127mm X 76mm	*71"W X 32"H 1803mm X 813mm	*35"W X 32"H 889mm X 813mm

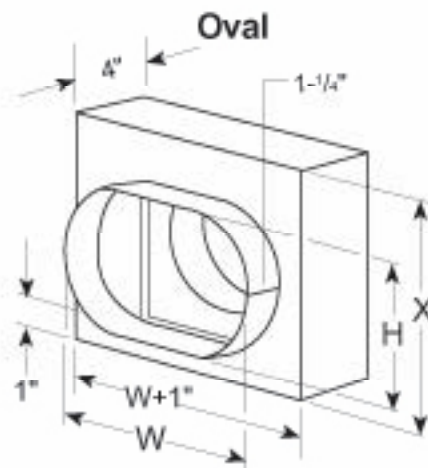
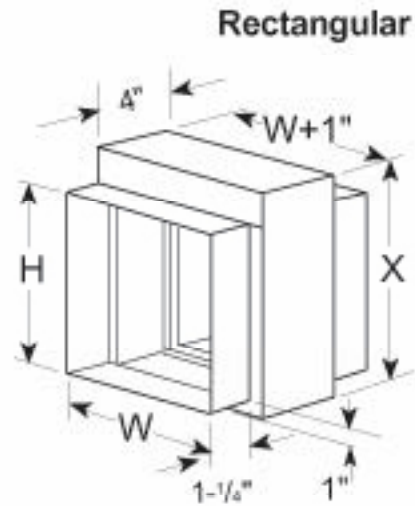
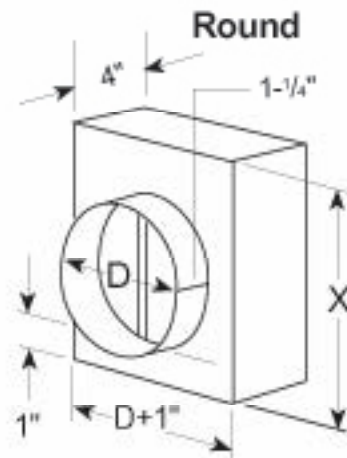
\* May consist of multi-sections

Job Name:	<input type="checkbox"/> <b>MODEL FDD-C</b>	<input type="checkbox"/> Rectangular <input type="checkbox"/> Round <input type="checkbox"/> Oval		
Location:		DRAWN BY: MAB	DATE: 10-24-07	REV. DATE: 1-7-14
Architect:		REV. NO. 5	APPROVED BY: SDC	DWG. NO.: A-12
Engineer:				
Contractor:				

SIZE CHART

Duct Height	Height "X" Dimension
Inches	Inches
3	6
4	7
5	8
6	9
7	10
8	11
9	12
10	13
11	14
12	15
13	16
14	17
15	18
16	19
17	20
18	21
19	22
20	23
21	25
22	26
23	27
24	28
25	29
26	30
27	31
28	32
29	33
30	34
31	35
32	36

X = DAMPER HEIGHT



W = Width (Duct)  
 H = Height (Duct)  
 X = Variable (See Size Chart)