



# MODEL FDD-B

## CURTAIN FIRE DAMPER

U.L. 555 CLASSIFIED 1-1/2 AND 3 HOURS  
FOR USE IN DYNAMIC OR STATIC SYSTEMS

### Application and Design

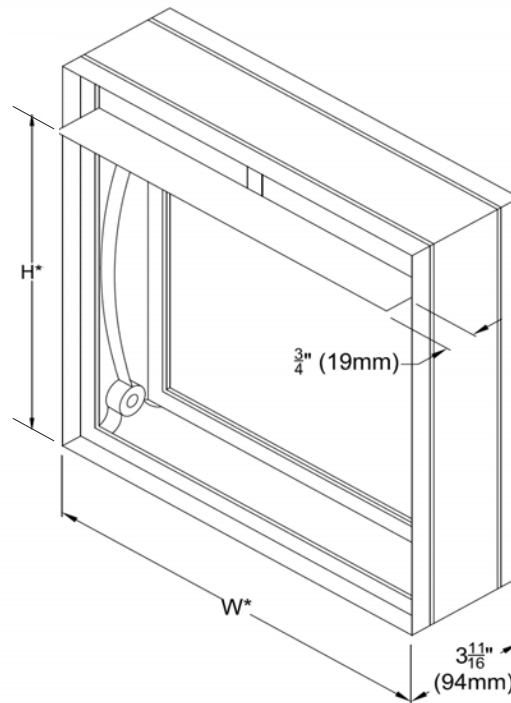
The Model FDD-B is UL Classified for installation in walls, floors, and partitions with a fire rating of less than 3 hours. This damper may be installed vertically or horizontally in HVAC systems that continue to run in the event of fire. Also approved for static systems. (See optional 3 hr rating)



### Standard Construction

- Frame:** Roll formed Frame - Galvanized Steel
- Blades:** Low Profile Roll Formed - Galvanized Steel
- Closure Spring:** Stainless Steel constant force coil
- Fusible Link - UL-33:** UL Listed 165°F (Standard), 212°F (Optional)
- Maximum Velocity:** 2000 FPM (10.2 M/S)
- Maximum Pressure:** 4" WG (1KPA)

Model FDD-B meets or complies with the following as a fire damper:  
All major building codes, including IBC/ICC International Code  
UL 555 Listing 1-1/2 and 3 Hour - File #R25410  
ULC S112  
NFPA - 90A, 80



Note: Dampers are furnished Approx. 1/4" undersized as given duct dimensions, unless otherwise noted by breakaway connection.

### SIZE CHART

Duct Height	Vertical Mount Type "B" Damper Height	Horiz. Mount Type "B" Damper Height
Inches	Inches	Inches
4	6	6
5	7	7
6	8	8
7	9	9
8	10	10
9	11	11
10	12	12
11	13	13
12	14	14
13	15	15
14	16	16
15	17	17
16	18	18
17	19	19
18	20	20
19	21	21
20	22	22
21	24	24
22	25	26
23	26	27
24	27	28
25	28	29
26	29	30
27	30	31
28	31	32
29	32	33
30	33	34
31	34	35
32	35	36

### Options:

- Factory Sleeve: \_\_\_\_\_ Ga (20 Ga min.)  
Sleeve Length: \_\_\_\_\_
- Retaining Angles
  - One Side
  - Both Sides
- 3 Hour Rating
- Mounting:
  - Horizontal
  - Vertical

Standard Sizes (duct) 1-1/2 HR. & 3 HR.		
Min. V or H	*Max. Vertical Size	*Max. Horizontal Size
6" X 4" 152mm X 101mm	72"W X 32"H 1829mm X 813mm	36"W X 32"H 914mm X 813mm

\* May consist of multi-sections

Job Name:

Location:

Architect:

Engineer:

Contractor:

MODEL FDD-B

DRAWN BY:  
MAB

DATE:  
10-24-07

REV. DATE:  
01/07/2014

REV. NO.  
4

APPROVED BY:  
SDC

DWG. NO.:  
A-11