

Application and Design

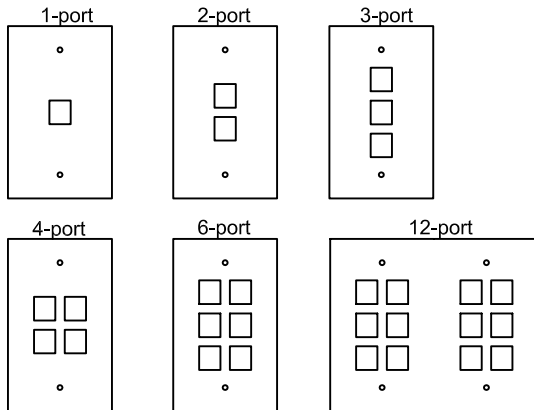
The United Energetech *Power / Balance System™* was developed to provide an easier means of balancing the HVAC system of individual rooms or zone temperature control. The system is composed of a damper, actuator, RJ-11 plenum rated cable, female receptacle and a hand-held battery pack to adjust the designed air flow in the room or zone.

Remote Plate Options:

Model J100 (single gang)

*Standard White

wall or ceiling mount

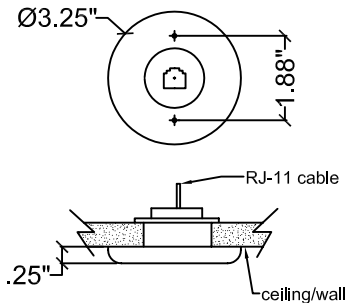


**Optional Colors
 ivory grey
 almond brown black

Note: zones or specific area can be labelled on face of plate.

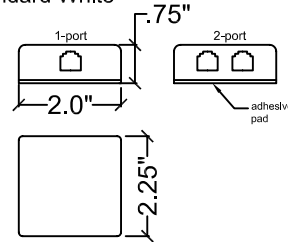
Model J50 (wall or ceiling)

*Standard White



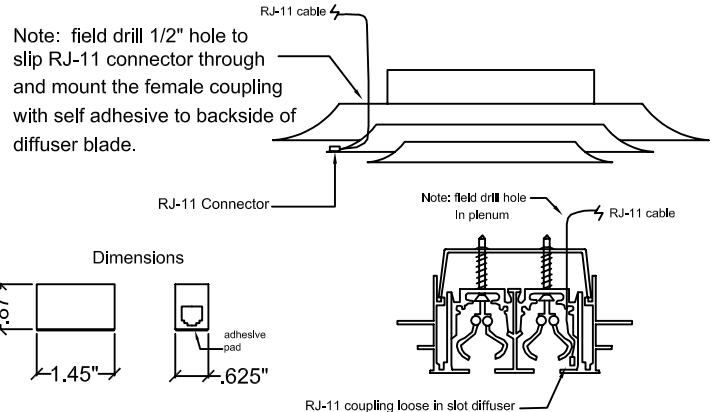
Model J75 (surface mount)

*Standard White



**Optional Colors
 ivory

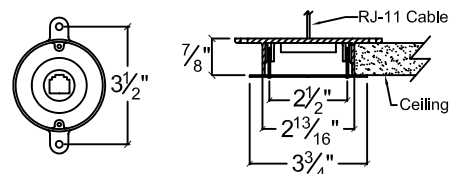
Model J150 (diffuser terminal point)



Model J300 (ceiling recess Mtd.)

Polished Zinc Cover Plate (Standard)

Optional Chrome Plate Prime Coat Plate



Licensed to United Energetech Corp.
 by Emmet Walsh Associates Inc.
 Patent Pending

Job Name:	DRAWN BY:	DATE:	REV. DATE:
Location:	SRB	1-30-06	4-17-07 (CLJ)
Architect:	REV. NO.	APPROVED BY:	DWG. NO.:
Engineer:	13	BGT	D-1
Contractor:			