

Technical Data/Submittal

# Electric Actuator Type BNH

44/88/132/176 in-lb Minimum Torque,

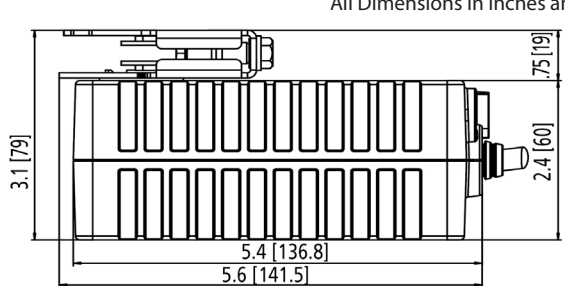
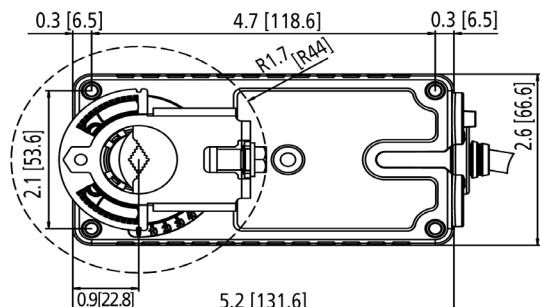
BNH NEMA 4x



✓	Model	Protection Degree	Min. Torque (in-lb)	Power Supply 24VDC, 120/230VAC	Power Consumption	Damper Area approx. sq-ft
<b>BN Series, 90 Second Running Time</b>						
<b>On/Off and Floating Point Control</b>						
	BNH-44C1U	NEMA 4x	44	24	3.0VA	11
	BNH-44C2U	NEMA 4x	44	120/230	5.0VA	11
	BNH-88C1U	NEMA 4x	88	24	4.0VA	22
	BNH-88C2U	NEMA 4x	88	120/230	7.0VA	22
	BNH-176C1U	NEMA 4x	176	24	7.0VA	44
	BNH-176C2U	NEMA 4x	176	120/230	11.0VA	44
<b>Proportional Control 0/2-10VDC</b>						
	BNH-44P1U	NEMA 4x	44	24	3.0VA	11
	BNH-44P2U	NEMA 4x	44	120/230	5.0VA	11
	BNH-88P1U	NEMA 4x	88	24	4.0VA	22
	BNH-88P2U	NEMA 4x	88	120/230	6.0VA	22
	BNH-176P1U	NEMA 4x	176	24	7.0VA	44
	BNH-176P2U	NEMA 4x	176	120/230	10.0VA	44

Technical Data		
Characteristic	24 V AC/DC	120/230 V AC
Nominal voltage	AC 24 V +/- 20 %, 50/60 Hz, DC 24 – 36 V +/- 10 %	AC 90 – 264 V, 50/60 Hz
<b>24 V and 120/230 V</b>		
Electrical Connection	3-ft plenum rated cable with 1/2 inch conduit fitting	
Synchronization	+/- 5 %	
Rotation direction	Selectable via switch L/R or by L/R mounting	
Angle of rotation	Max. 95°	
Housing	NEMA 4X with stainless steel hollow shaft.	
Gearbox	All metal components	
Shaft mounting	Stainless steel hollow shaft. Centric clamp adaptor Microcor. Ø 0.3in to 0.8in (8 to 20 mm) ∅ 0.2 in to 0.6in (6 14mm).	
Anti-rotation strap	Microcor coated	
Running time BEH	90 s (+/- 5 %) load independent during normal operation,	
Position indicator	Mechanical	
Noise emission level	< 35 db (A), Fail-safe operations approx. < 60 db (A)	
Ambient temperature	BNH: -40° to + 140°F (-40° to +60°C)	
Storage temperature	-40° to +176°F (-40° to +80°C)	
Norm conformity		
Weight	Approximate depending on type 2.6 lb [1.200 g]	

- Robust stainless steel hollow drive shaft.
- All-metal gearbox for protection in harsh environments, and long life.
- Higher temperature resistance via special grease and o-rings.
- NEMA 4X housing protection.
- Centric clamp adaptor and anti-rotation strap have a corrosion-resistant Microcor finish.
- Shaft-centering clamp for reduced hysteresis on dampers, manual positioning, conduit fittings.



All Dimensions in inches and metric [mm]