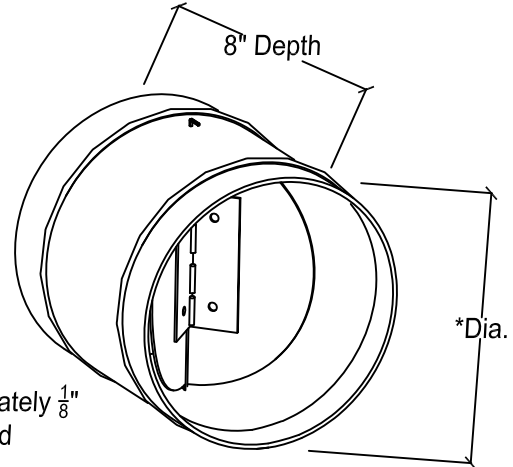
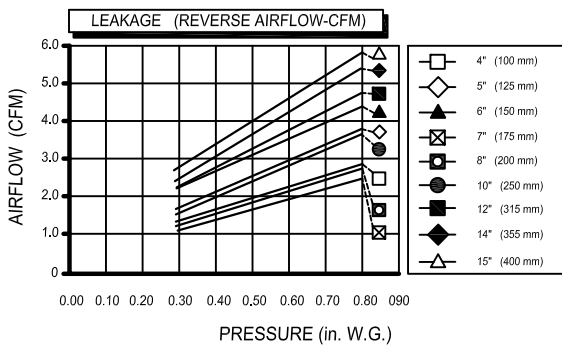
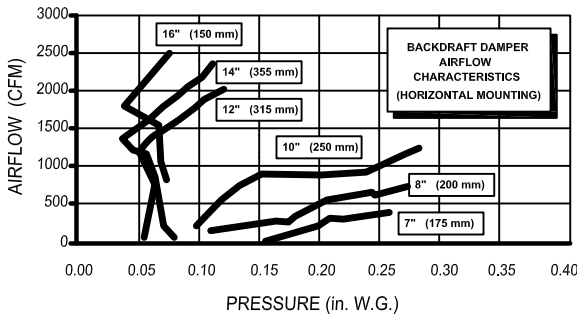
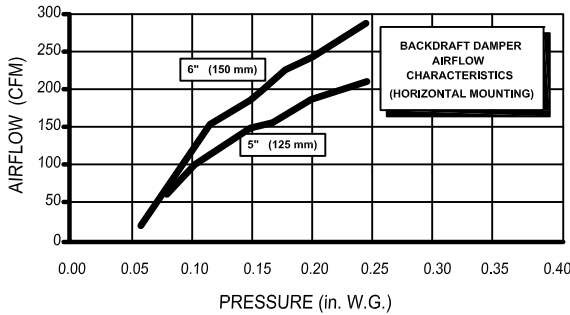


**BACKDRAFT DAMPERS**

**BUTTERFLY BACKDRAFT DAMPER**

The Model BF was designed for small round dampers up to 16"Ø for pressure through .30" w.c.



\* Approximately 1/8" undersized

**MODEL BF**

Dimensions		Maximum Velocity (FPM)
Diameter	Length	
4-10"	8"	2200
12-18"	8"	1900

**STANDARD FEATURES:**

EDPM Rubber Gasket in Closed Position for Minimum Leakage

Aluminum Spring Loaded Butterfly Damper (.025" alum. blades)

24 Gauge Galvanized Steel Housing

Requires .04 to .08 inches w.c. to begin to open.

May be Installed in Any Position

**SIZES AVAILABLE:**

4", 5", 6", 7", 8", 9", 10", 12", 14", 16", & 18"

Job Name:	<input type="checkbox"/> <b>MODEL BF</b>		
Location:			
Architect:			
Engineer:	DRAWN BY: CLJ	DATE: 5-28-96	REV. DATE: 11-3-09
Contractor:	REV. NO. 14	APPROVED BY: BGT	DWG. NO.: <b>G-8</b>