

Application and Design

Model ES-CD-100V is a 2-3/8" deep extruded aluminum equipment screen with 90° sight proof blades. Screen is sight proof when viewed from any perspective. Blades are spaced 6-inches apart and supported at braces a minimum of two locations.

Standard Construction

FRAME: Custom formed aluminum Z-bar (2-3/8" x 2" x 2" x 1/8" thick)

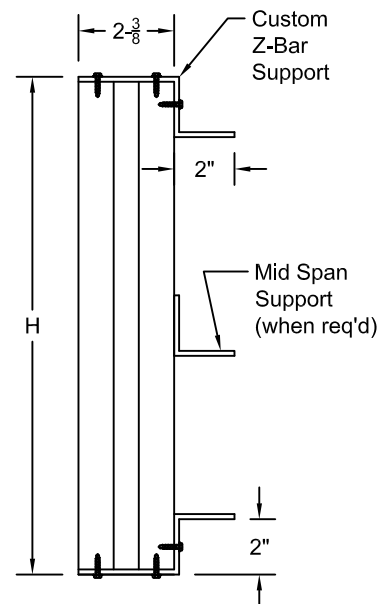
BLADES: .081" thk. 6063-T5 Extruded Aluminum

FINISH: Mill

MAX. SINGLE SECTION: 84"w x 120"h or 120"w x 84"h

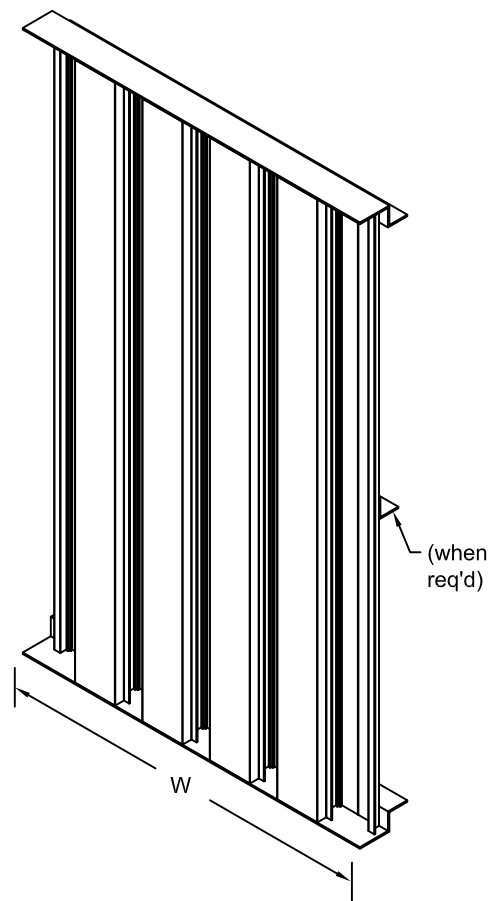
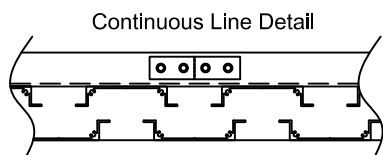
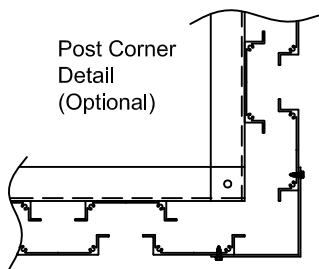
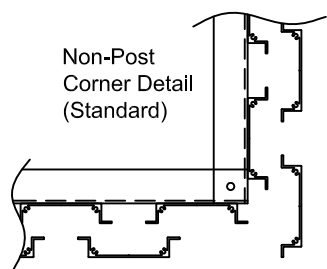
MIN. SECTION SIZE: 12"w x 12"h

*Panels over 48" wide will have a 2" x 2" x 1/4" aluminum angle with blade supports mid-span



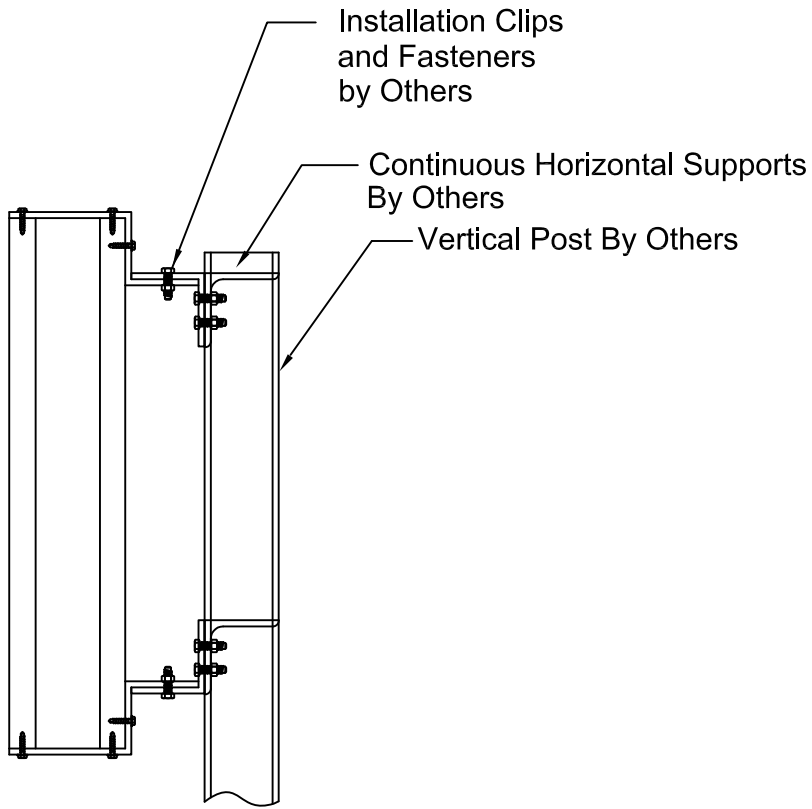
Finishes

- Clear Anodize
- Integral Color Anodize
- Baked Powder Polyester
- Baked Powder Fluoropolymer 70%
- Baked Powder Clear Coat

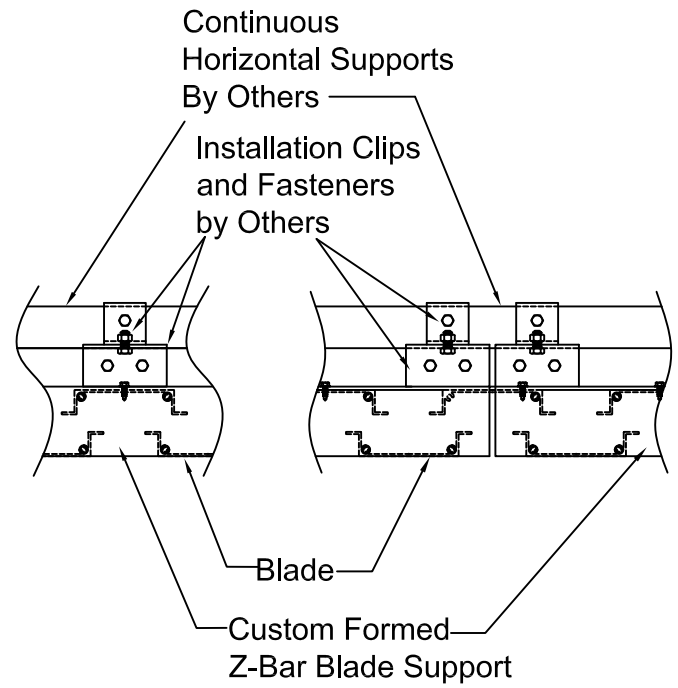


Job Name:	MODEL ES-CD-100V		
Location:			
Architect:	DRAWN BY: SRB	DATE: 7-1-09	REV. DATE: 7-23-09
Engineer:	REV. NO. 1	APPROVED BY: SDC	DWG. NO.: E-17i
Contractor:			

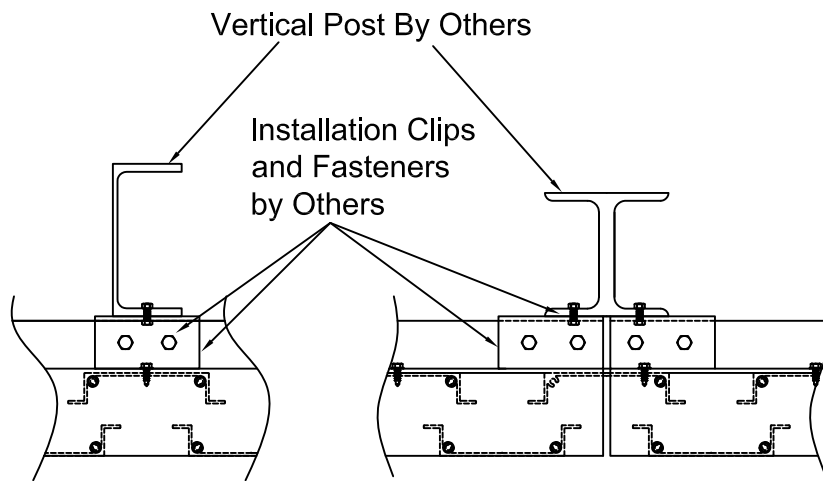
Model ES-CD-100V Typical Installation Details



Elevation



Plan view
(horizontal supports)



Plan view
(vertical supports)