

Application and Design

Model ES-EL-6 is a 6" deep extruded aluminum equipment screen with 45° sight proof blades. Screen is sight proof when viewed from perpendicular perspective or from below. Blades are supported at braces at a minimum of two locations.

Standard Construction

FRAME: 2" x 2" x 1/4" thk. angle (6063-T5 Extruded)

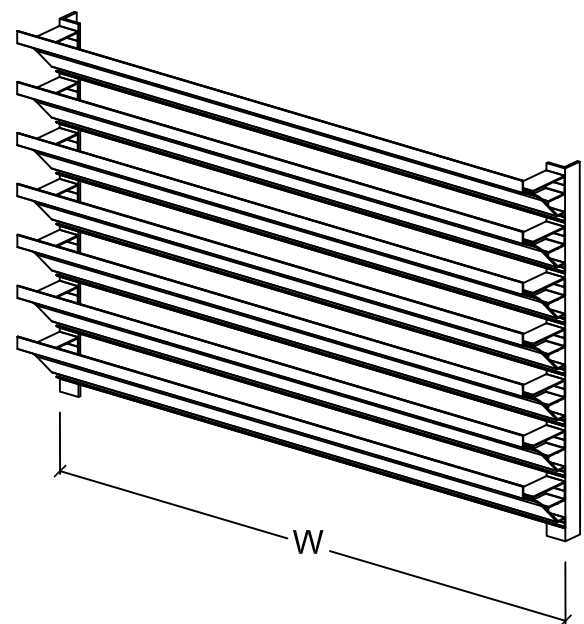
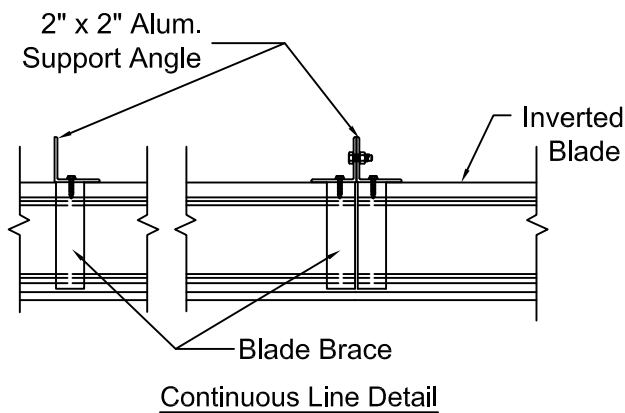
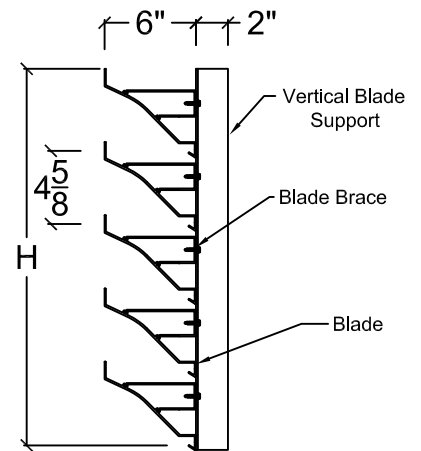
BLADES: .110" thk. 6063-T5 Extruded Aluminum

FINISH: Mill

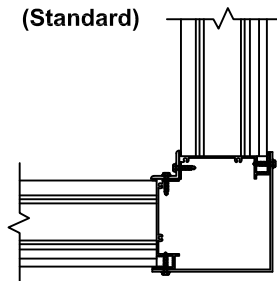
MAX. SINGLE SECTION: 84"w x 120"h or 120"w x 84"h

MIN. SECTION SIZE: 12"w x 12"h

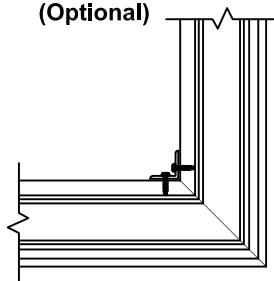
*Panels over 48" wide will have a 2" x 2" x 1/4" aluminum angle with blade supports mid-span.



Box Corner Detail (Standard)



Mitered Corner Detail (Optional)



Corner Details

Job Name:	MODEL ES-EL-6		
Location:			
Architect:	DRAWN BY: CLJ	DATE: 7-1-09	REV. DATE: 7-22-09
Engineer:	REV. NO. 1	APPROVED BY: SDC	DWG. NO.: E-17d
Contractor:			

Model ES-EL-6 Typical Installation Details

