

Application and Design

Model ES-EL-4 is a 4" deep extruded aluminum equipment screen with 45° sight proof blades. Screen is sight proof when viewed from perpendicular perspective or from below. Blades are supported at braces at a minimum of two locations.

Standard Construction

FRAME: 2" x 2" x 1/4" thk. angle (6063-T5 Extruded)

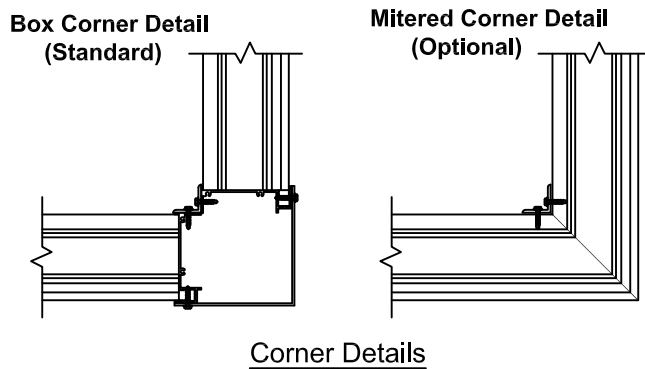
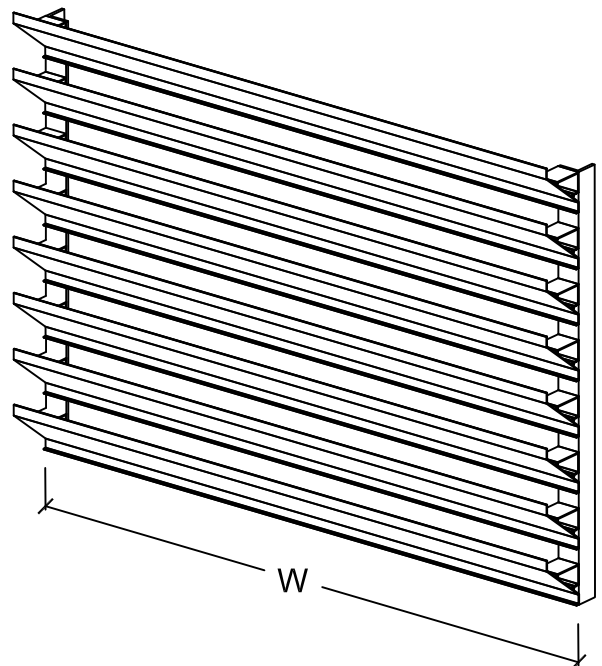
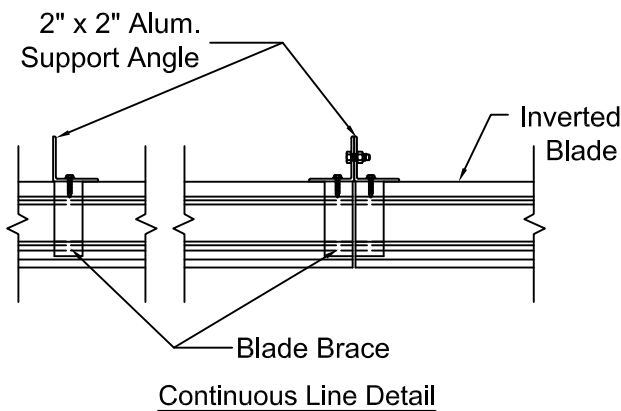
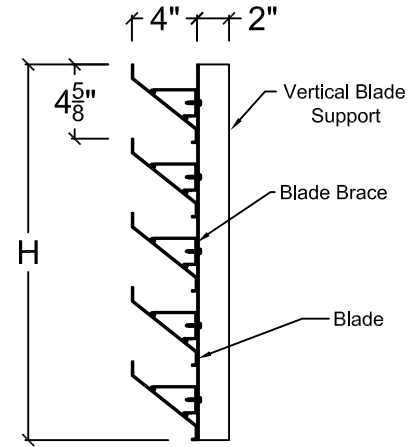
BLADES: .081" thk. 6063-T5 Extruded Aluminum

FINISH: Mill

MAX. SINGLE SECTION: 84"w x 120"h or 120"w x 84"h

MIN. SECTION SIZE: 12"w x 12"h

*Panels over 48" wide will have a 2" x 2" x 1/4" aluminum angle with blade supports mid-span.



Job Name:	MODEL ES-EL-4		
Location:			
Architect:	DRAWN BY:	DATE:	REV. DATE:
Engineer:	CLJ	11-17-08	7-22-09
Contractor:	REV. NO.	APPROVED BY:	DWG. NO.:
	1	SDC	E-17c

Model ES-EL-4 Typical Installation Details

