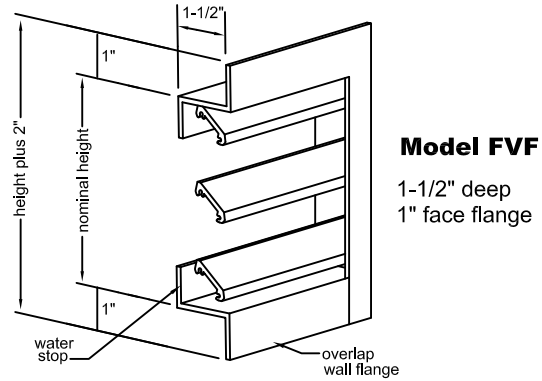
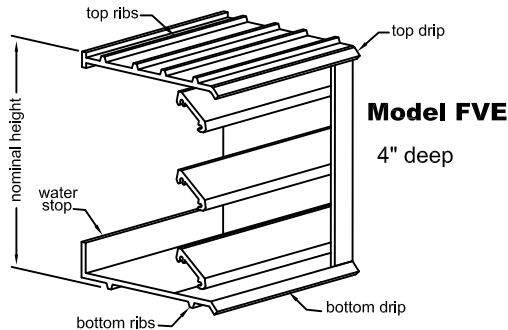


Application

The Model FVE is a load bearing block (including mortar ribs) foundation vent designed for flood waters. The FVE has a high free area (see chart below) and is available with a debris screen as an option. When a screen is required, it adds a factor of 5 as designers size vents for the flood hazard area. Water flow occurs as rising water approaches and resides. The FVF is a flanged model without the block loading features and without mortar ribs.



Standard Construction

Frame: Heavy gauge 6063T5 extruded aluminum, .125" nominal wall thickness. Model FVE frame is 4" deep with 1/8" mortar ribs top and bottom.
 Model FVF frame is 1-1/2" deep.

Blades: Heavy gauge 6063T5 extruded aluminum, .125" nominal wall thickness. 45° blades overlap for optimum visual screening

Finish: Mill

Sizes Available: Standard sizes shown below. Other sizes available with required site specific engineering by United Enertech

Options:

- Single latched, single pivot floating door
(50% free area - add suffix "S" to model number)
- Powder coated
- 1/2" X 1/2" Alum. Expanded Screen
- Extended Sleeve (specify depth _____)

Nema and National Flood Insurance Program (NFIP) regulations at 44 CFR 60.3 (c)(5):

"Require, for all new construction and substantial improvements, that fully enclosed areas below the lowest floor that are usable solely for parking of vehicles, building access or storage in an area other than a basement and which are subject to flooding shall be designed to automatically equalize hydrostatic flood forces on exterior walls by allowing for the entry and exit of floodwaters. Designs for meeting this requirement must either be certified by a registered professional engineer or architect or meet or exceed the following minimum criteria:

A minimum of two openings having a total net area of not less than one square inch for every square foot of enclosed area subject to flooding shall be provided. The bottom of all openings shall be no higher than one foot above grade. Openings may be equipped with screens, louvers, valves, or other coverings or devices provided that they permit the automatic entry and exit of floodwaters."

QUANTITY	FVE	FVF	MODEL	NOMINAL SIZE	FREE AREA (SQ. FT.)	OPTIONS/ACCESSORIES/VARIATIONS
			825	8-1/8" X 2-3/8"	.092	NO BLADES REQUIRED (2-3/8" HEIGHT)
			847	8-1/8" X 4-3/4"	.141	
			808	8-1/8" X 7-3/4"	.232	
			123	12" X 2-3/8"	.135	NO BLADES REQUIRED (2-3/8" HEIGHT)
			125	12" X 4-3/4"	.208	
			128	12" X 7-3/4"	.344	
			1212	12" X 11-3/4"	.563	
			157	15-5/8" X 7-3/4"	.448	
			1516	15-5/8" X 15-3/4"	1.02	
			162	16-1/2" X 2-3/8"	.186	NO BLADES REQUIRED (2-3/8" HEIGHT)
			164	16-1/2" X 4-3/4"	.286	
			168	16-1/2" X 7-3/4"	.473	
			1616	16-1/2" X 15-3/4"	1.07	
			242	24" X 2-3/8"	.271	NO BLADES REQUIRED (2-3/8" HEIGHT)
			244	24" X 4-3/4"	.417	
			248	24" X 7-3/4"	.688	
			3208	32" X 7-3/4"	.917	
			4808	48" X 7-3/4"	1.38	

Job Name:	<input type="checkbox"/> MODEL FVE <input type="checkbox"/> MODEL FVF		
Location:	DRAWN BY: CLJ	DATE: 10-10-06	REV. DATE: 02-03-09
Architect:	REV. NO.:	APPROVED BY:	DWG. NO:
Engineer:	3	BGT	E-15f
Contractor:			