

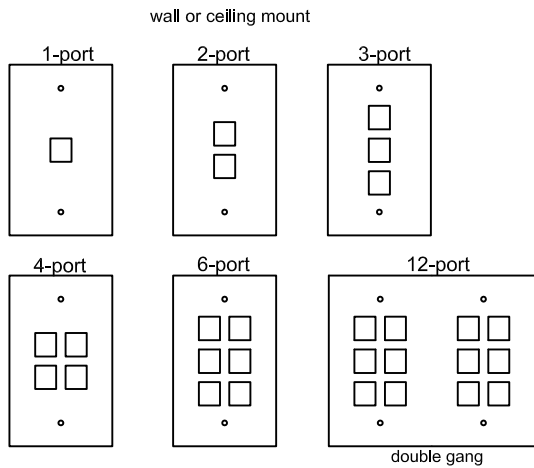
Application/Design

The United Energetech *Power / Balance System™* was developed to provide an easier means of balancing the HVAC system of individual rooms or zone temperature control. The system is composed of a damper, actuator, RJ-11 plenum rated, or Standard Non-Rated cable, female receptacle and a hand-held battery pack to adjust for designed air flow in the room or zone.

Remote Plate Options:

Model J100 (single gang)

*Standard White

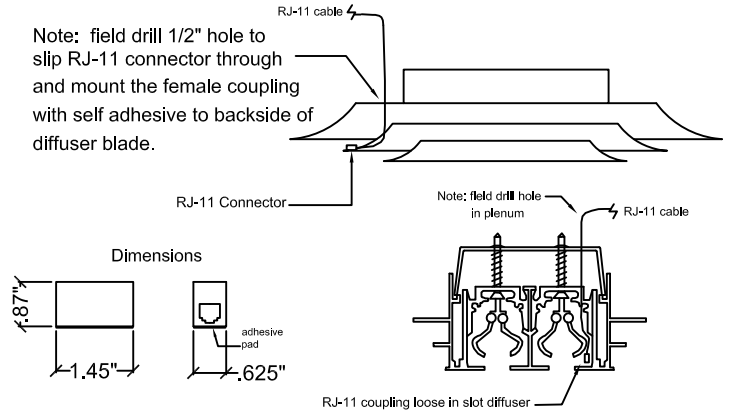


**Optional Colors
 ivory grey
 almond brown black

Note: zones or specific area can be labelled on face of plate.

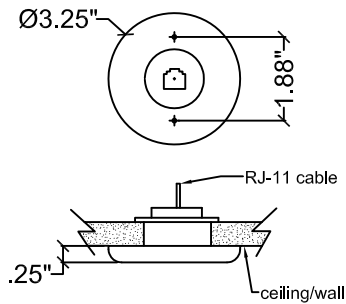
Model J150 (diffuser terminal point)

Note: field drill 1/2" hole to slip RJ-11 connector through and mount the female coupling with self adhesive to backside of diffuser blade.



Model J50 (wall or ceiling)

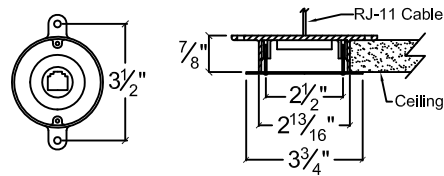
*Standard White



Model J300 (ceiling recess Mtd.)

Polished Zinc Cover Plate (Standard)

Optional Chrome Plate Prime Coat Plate



Due to continuing research, United Energetech reserves the right to change specifications without notice.

Job Name:	DRAWN BY: SRB	DATE: 1-30-06	REV. DATE: 08-09-10
Location:			
Architect:	REV. NO. 17	APPROVED BY: BGT	DWG. NO.: D-4
Engineer:			
Contractor:			