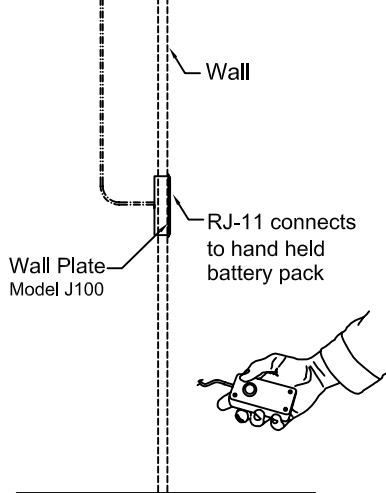
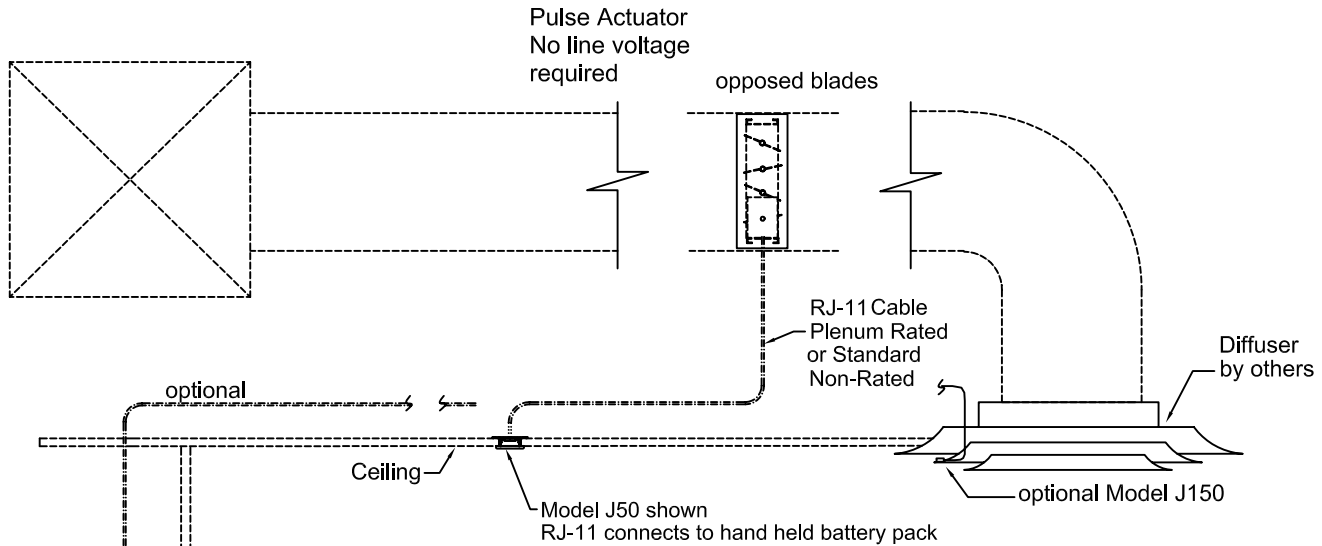
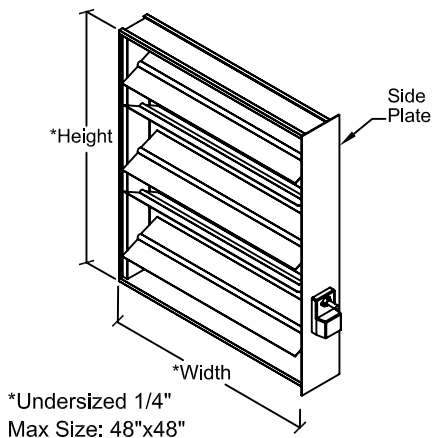


Application/Design:

The Model i-4 was developed for air balancing at the mid/duct above inaccessible ceilings with adjustments accomplished by a hand-held power pack.



Model i-4 (Rectangular )



Features:

- Frame:** .081" Extruded Aluminum, 4-1/2" deep
- Blade:** .125" Extruded Aluminum  
Exception- formed aluminum single blade thru 12" height
- Bearings:** Bronze Oilite
- Axles:** 1/2" dia. zinc plated steel with thrust bearing
- Side Plate:** 6-1/4" x (ht. +1") x 18 ga galv. steel
- Options: Blade seals

CONSULT FACTORY FOR OTHERS

RECOMMENDED SPECIFICATIONS

- A. The remote control system shall provide means of balancing airflow in ductwork above inaccessible ceilings
- B. In these areas, the contractor shall furnish and install Model i-4 (inline) in the branch duct. The drive actuator shall be DC voltage.
- C. The contractor shall furnish and install remote plate options of Model J50, J75, J100, J150 or J300 terminal point. Color shall be white unless otherwise specified. (see dwg. D-4)
- D. The contractor shall connect RJ-11 Plenum Rated or Standard Non-Rated cable from the damper to the female outlet. Plenum Rated cables are capable of lengths up to 1000 feet.
- E. The balancing shall be achieved with a hand held power pack, utilizing an RJ-11 connector. Contractor shall turn over the hand held power packs to the owner after balancing is complete.
- F. The *Power / Balance System™* shall be manufactured by United Energetech Corporation.

**WARRANTY:**

To avoid any warranty issues, all components, including those from the wall jack to actuator, must be supplied by United Energetech.

Due to continuing research, United Energetech reserves the right to change specifications without notice.

Job Name:	DRAWN BY:	DATE:	REV. DATE:
Location:	CLJ	10-8-08	09-09-10
Architect:	REV. NO.	APPROVED BY:	DWG. NO.:
Engineer:	21	SDC	D-2
Contractor:			