

**CRIMSON SERIES**

**STANDARD CONSTRUCTION:**

**OUTRIGGER**

- .25" Aluminum (standard)
- .375" Aluminum (optional)

**BLADES:**

.108" Aluminum Airfoils 1-1/2" deep x 6-1/2" wide on approximately 9" centers.

**FASCIA COVER & MOUNTING BRACKETS**

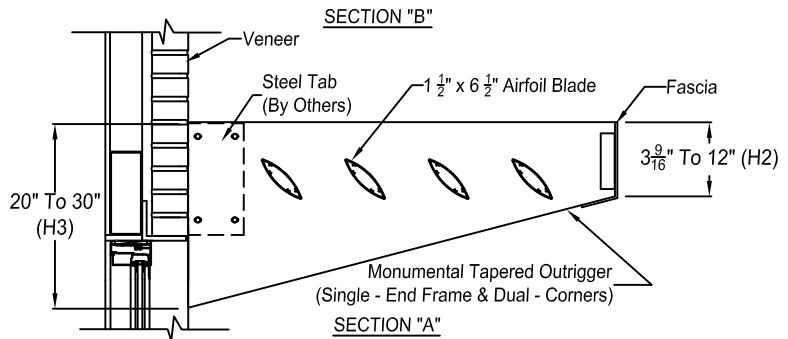
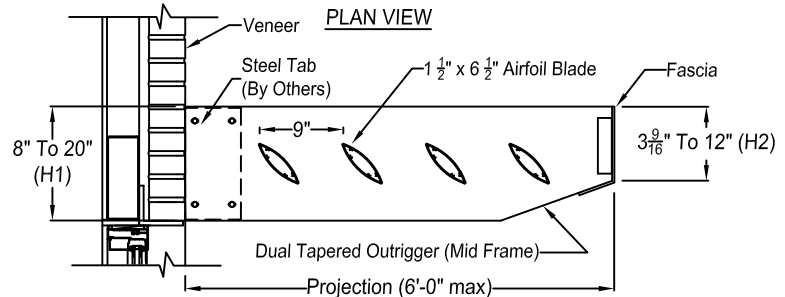
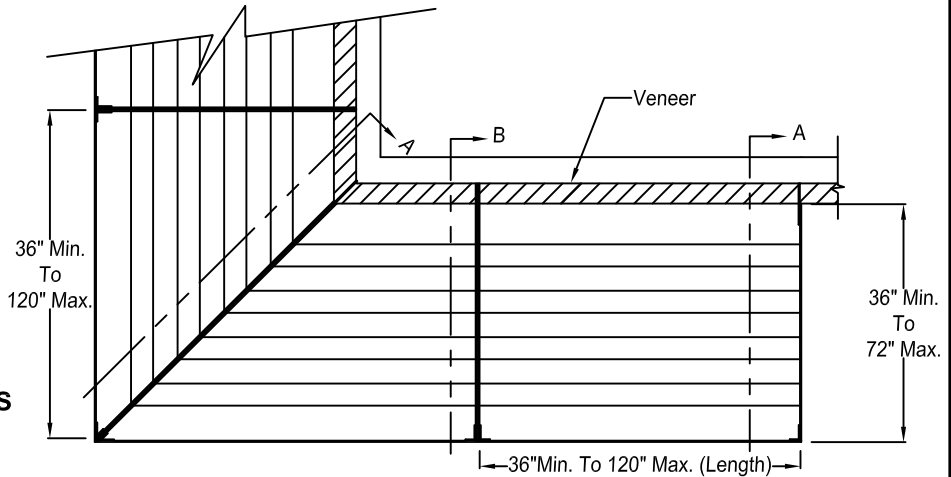
.25" Extruded Aluminum

**FINISH:**

mill aluminum (std.)

**MAXIMUM SIZE:**

Length 120" x Projection 72" (max.)



3 part specifications - see online at [www.unitedenertech.com](http://www.unitedenertech.com)



Due to continuing research, United Enertech reserves the right to change specifications without notice.

QUANTITY	LENGTH	PROJECTION	H1	H2	H3	TAG



3005 South Hickory Street  
 Chattanooga, Tennessee 37407  
 Tel: (423) 698-7715  
 Fax: (423) 698-6629  
[www.unitedenertech.com](http://www.unitedenertech.com)

**CRIMSON SERIES**

DRAWN BY: GDR	DATE: 1-12-10	REV. DATE: 7-15-10	REV. NO. 4	APPROVED BY: BGT	DWG. NO.: C-7
------------------	------------------	-----------------------	---------------	---------------------	------------------