

MARQUIS SERIES

STANDARD CONSTRUCTION:

OUTRIGGER & BRACKET:

- .25" Aluminum (standard)
- .375" Aluminum (optional)

BLADES:

.108" Aluminum Airfoils 2" deep x 8" wide,
2 1/2" deep X 10"wide & 3" deep x 12" wide
on approximately 13" centers.

**FASCIA CHANNEL
& REAR FRAME CHANNEL**

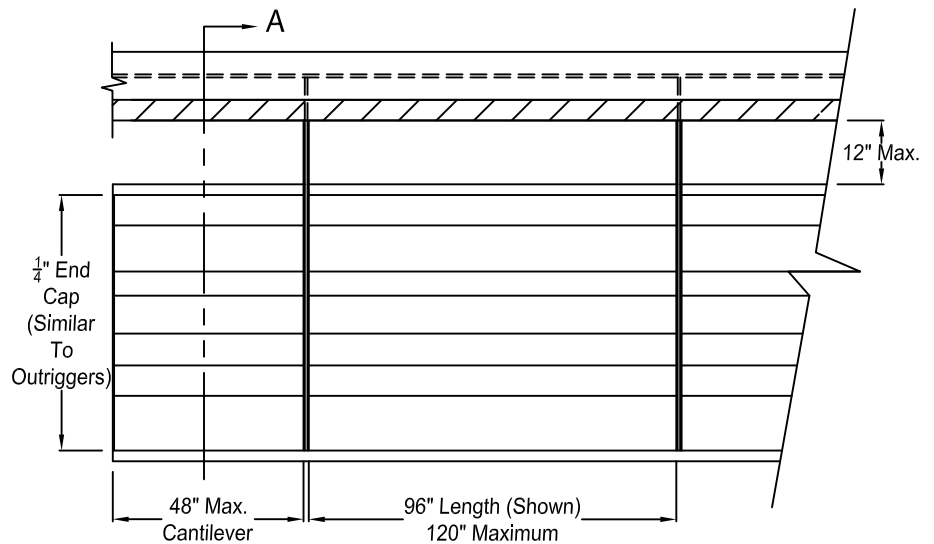
.25" Extruded Aluminum

FINISH:

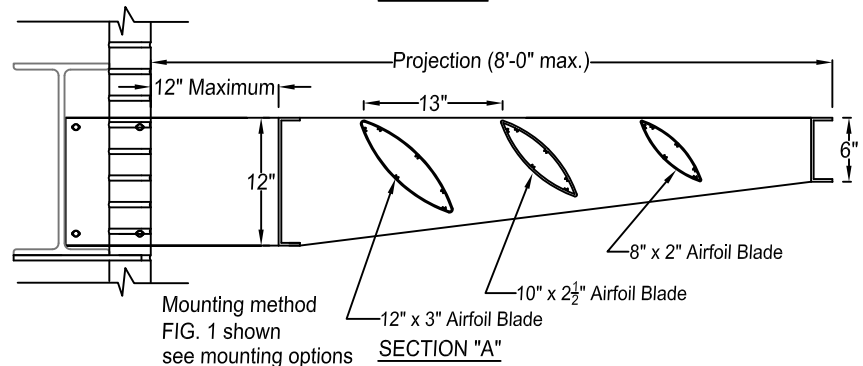
mill aluminum (std.)

MAXIMUM SIZE:

Airfoil Blade 120" (Length) (Max.)
Outrigger Projection 64 (Min.) - 96"(Max.)



PLAN VIEW



3 part specifications - see online at www.unitedenertech.com

OPTIONAL FINISHES:

- Powder Polyester TGIC** (2 coats) baked on at 410°F -2.5 to 3.5 mils Meets AAMA-2603 Standards
- Powder Super durable polyester** (2 coats) baked on at 410°F -2.5 to 3.5 mils Meets AAMA-2604-05 Standards
- Acrylic baked enamel** (ACRA-BOND® ULTRA) by AkzoNobel baked on at 350°F -0.8 to 1.2 mils dry Meets AAMA-2603 Standards
- Kynar®** (ALUM*A*STAR®) 2 coats by AkzoNobel baked on at 450°F -1.2 to 1.6 mils dry Meets AAMA-2605-05 Standards
- Kynar 500®** or HYLAR® 5000 70% TRINAR® (2 coats) by AkzoNobel baked on at 450°F -1.2 to 1.6 mils dry, Meets AAMA-2605-05 Standards
- Kynar 500®** or HYLAR® 5000 (70% Tri-Escent II) (2 coats) by AkzoNobel, a superior finish to other metallic or anodized finishes. A blend of mica, ceramic, and inorganic pigments creates subtle yet dazzling design that goes beyond metallic color without the requirement of a clear coat. 14 standard colors - custom colors available. Baked on at 415°F -1.4 to 1.8 mils dry, meets AAMA 2605-05.
- Clear Anodize** 204 R-1 Class II (AA-C22A31)(0.4 to 0.7 mil)
- Clear Anodize** 215 R-1 Class I (AA-C22A41)(>0.7 mil)
- Integral Color Anodize** (AA-C22A42)(>0.7 mil)
 - Clear coat available for all above finishes.
 - Hylar® 5000 is a registered trademark of Solvay Solexis, Inc.
 - Kynar® 500 is a registered trademark of Arkema.
 - ALUM*A*STAR® 50 and TRINAR® are registered trademarks of AkzoNobel
 - ACRA-BOND® ULTRA is a registered trademark of AkzoNobel



Due to continuing research, United Enertech reserves the right to change specifications without notice.

QUANTITY	LENGTH	PROJECTION	TAG



3005 South Hickory Street
Chattanooga, Tennessee 37407
Tel: (423) 698-7715
Fax: (423) 698-6629
www.unitedenertech.com

MARQUIS SERIES

DRAWN BY: GDR	DATE: 1-12-10	REV. DATE: 5-19-10	REV. NO. 4	APPROVED BY: BGT	DWG. NO.: C-5
------------------	------------------	-----------------------	---------------	---------------------	-------------------------