

**BRAZILIAN II SERIES**

(vertical blades)

**STANDARD CONSTRUCTION:**

**FRAME:**

1-3/4" x 4" x .125" Aluminum Tube (optional tube frames available - consult factory)

**BLADES:**

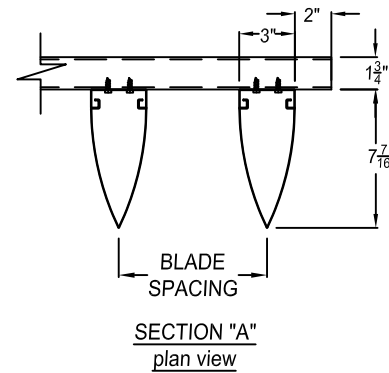
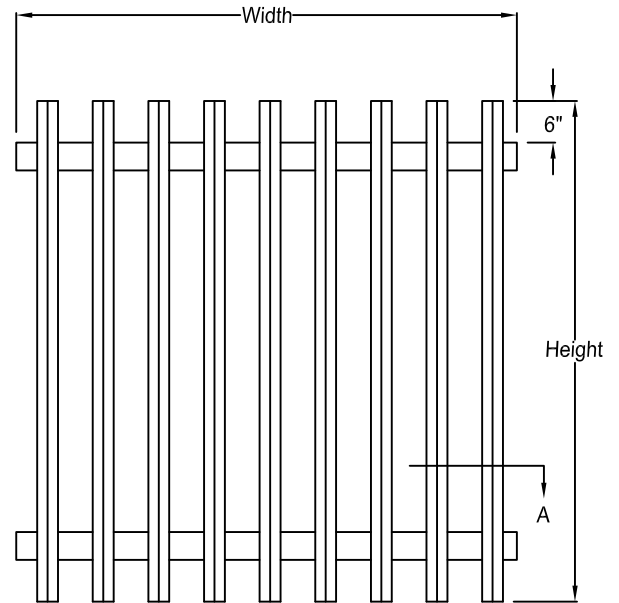
.032" Aluminum, 7-7/16"w x 3"h  
with .050" Aluminum End Caps

**FINISH:**

mill aluminum (std.)

**MAXIMUM SIZE:**

84"w x 120"h or 120"w x 84"h



**OPTIONAL FINISHES:**

- Powder Polyester TGIC** (2 coats) baked on at 410°F -2.5 to 3.5 mils Meets AAMA-2603 Standards
- Powder Super durable polyester** (2 coats) baked on at 410°F -2.5 to 3.5 mils Meets AAMA-2604-05 Standards
- Acrylic baked enamel (ACRA-BOND® ULTRA)** by AkzoNobel baked on at 350°F -0.8 to 1.2 mils dry Meets AAMA-2603 Standards
- Kynar® (ALUM\*A\*STAR®)** 2 coats by AkzoNobel baked on at 450°F -1.2 to 1.6 mils dry Meets AAMA-2605-05 Standards
- Kynar 500® or HYLAR® 5000 70% TRINAR®** (2 coats) by AkzoNobel baked on at 450°F -1.2 to 1.6 mils dry, Meets AAMA-2605-05 Standards
- Kynar 500® or HYLAR® 5000 (70% Tri-Escent II)** (2 coats) by AkzoNobel, a superior finish to other metallic or anodized finishes. A blend of mica, ceramic, and inorganic pigments creates subtle yet dazzling design that goes beyond metallic color without the requirement of a clear coat. 14 standard colors - custom colors available. Baked on at 415°F -1.4 to 1.8 mils dry, meets AAMA 2605-05.
- Clear Anodize 204 R-1 Class II (AA-C22A31)**(0.4 to 0.7 mil)
- Clear Anodize 215 R-1 Class I (AA-C22A41)**(>0.7 mil)
- Integral Color Anodize (AA-C22A42)**(>0.7 mil)
  - Clear coat available for all above finishes.
  - Hylar® 5000 is a registered trademark of Solvay Solexis, Inc.
  - Kynar® 500 is a registered trademark of Arkema.
  - ALUM\*A\*STAR® 50 and TRINAR® are registered trademarks of AkzoNobel
  - ACRA-BOND® ULTRA is a registered trademark of AkzoNobel

3 part specifications - see online at [www.unitedenerotech.com](http://www.unitedenerotech.com)



Due to continuing research, United Enerotech reserves the right to change specifications without notice.

QUANTITY	WIDTH	HEIGHT	BLADE SPACING	TAG



3005 South Hickory Street  
Chattanooga, Tennessee 37407  
Tel: (423) 698-7715  
Fax: (423) 698-6629  
[www.unitedenerotech.com](http://www.unitedenerotech.com)

**BRAZILIAN II SERIES (vertical blades)**

DRAWN BY: CLJ	DATE: 6-15-10	REV. DATE:	REV. NO.	APPROVED BY: BGT	DWG. NO.: <b>C-18</b>
------------------	------------------	------------	----------	---------------------	--------------------------