

MODEL EL-1-GL

PTAC GRILLE WITH GLAZING FRAME

Application and Design:

The EL-1-GL is generally used as a decorative louver that is installed with PTAC applications. It consist of a Glazing Frame that gives an enclosed appearance and assist in the installation. The free area is approximately 65% which provides minimal resistance to airflow. This grille is available with an optional split airflow design which allows discharge and return air to flow through the same grille simultaneously.

STANDARD CONSTRUCTION:

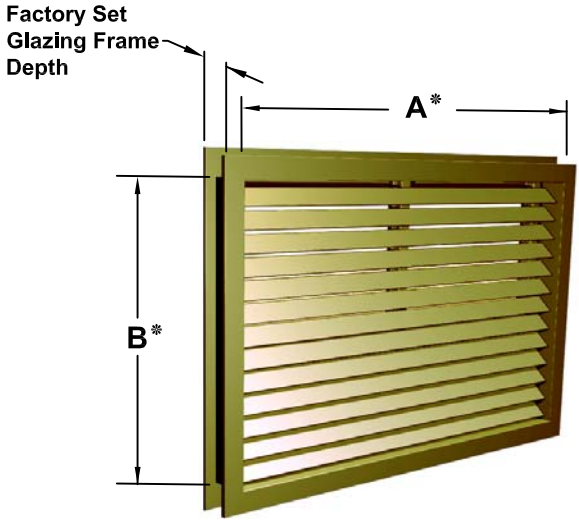
- Frame:** Glazing Frame - 1.5" Deep, .063", 6063-T5 Extruded Aluminum
- Blade:** .070", 6063-T5 Extruded Aluminum placed on .75" centers (available in 30° or 42°)
- Blade Brace:** .070", 6063-T5 Extruded Aluminum, 16" max. oc
- Finish:** Clear Anodized
- Max Single Section:** 120"w x 84"h (Multi-Section Units Available)

OPTIONS:

- Blade Degree: 30°, 42°
- Insect Screen (Other Screens Available, See Screen Page)
- Blade Direction: Facing Up, Facing Down
- Split Airflow Design: Design #1, Design #2
- Return Height: _____"

AVAILABLE FINISHES:

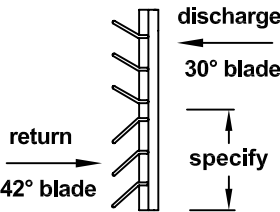
- Powder Polyester TGIC** (2 coats) baked on at 410°F, 2.5 to 3.5 mils Meets AAMA-2603 Standards
- Powder Super durable polyester** (2 coats) baked on at 410°F, 2.5 to 3.5 mils Meets AAMA-2604-05 Standards
- Acrylic baked enamel (ACRA-BOND® ULTRA)** by AkzoNobel baked on at 350°F, 0.8 to 1.2 mils dry Meets AAMA-2603 Standards
- Kynar® (ALUM*A*STAR®)** 2 coats by AkzoNobel baked on at 450°F, 1.2 to 1.6 mils dry Meets AAMA-2604-05 Standards
- Kynar 500®** or **HYLAR® 5000 70% TRINAR®** (2 coats) by AkzoNobel baked on at 450°F, 1.2 to 1.6 mils dry, Meets AAMA-2605-05 Standards
- Kynar 500®** or **HYLAR® 5000 (70% Tri-Escent II)** (2 coats) by AkzoNobel, a superior finish to other metallic or anodized finishes. A blend of mica, ceramic, and inorganic pigments creates subtle yet dazzling design that goes beyond metallic color without the requirement of a clear coat. 14 standard colors - custom colors available. Baked on at 415°F, 1.4 to 1.8 mils dry, meets AAMA 2605-05.
- Clear Anodize 204 R-1 Class II (AA-C22A31)**(0.4 to 0.7 mil)
- Clear Anodize 215 R-1 Class I (AA-C22A41)**(>0.7 mil)
- Integral Color Anodize (AA-C22A42)**(>0.7 mil)
 - Clear coat available for all above finishes.
 - Hylar® 5000 is a registered trademark of Solvay Solexis, Inc.
 - Kynar® 500 is a registered trademark of Arkema.
 - ALUM*A*STAR® 50 and TRINAR® are registered trademarks of AkzoNobel
 - ACRA-BOND® ULTRA is a registered trademark of AkzoNobel



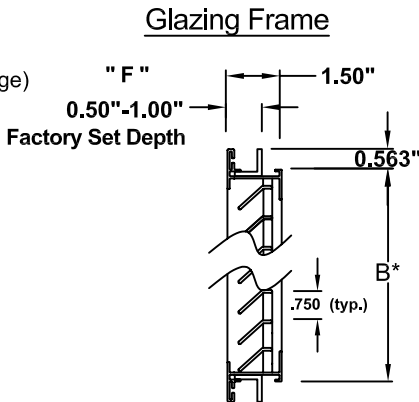
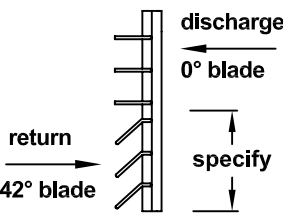
EL-1-GL w/30° Blades Shown

Split Airflow Option
Core Only Shown

Design #1



Design #2



Qty.	"A" (width)	"B" (height)	Glazing Depth	
			"F" (specify)	Tag

*Width and Height dimensions are approximately 1/4" under listed size.

Due to continuing research, United Enertech reserves the right to change specifications without notice.



3005 South Hickory Street
Chattanooga, Tennessee 37407
Tel: (423) 698-7715
Fax: (423) 698-6629
www.unitedenertech.com

MODEL EL-1-GL (PTAC Grille With Glazing Frame)

DRAWN BY: MHM	DATE: 5-24-10	REV. DATE:	REV. NO.	APPROVED BY: BGT	DWG. NO.: A-47
------------------	------------------	------------	----------	---------------------	--------------------------