

**MODEL SFL-D-6**

**6" FIXED/DRAINABLE STEEL LOUVER**

**STANDARD CONSTRUCTION:**

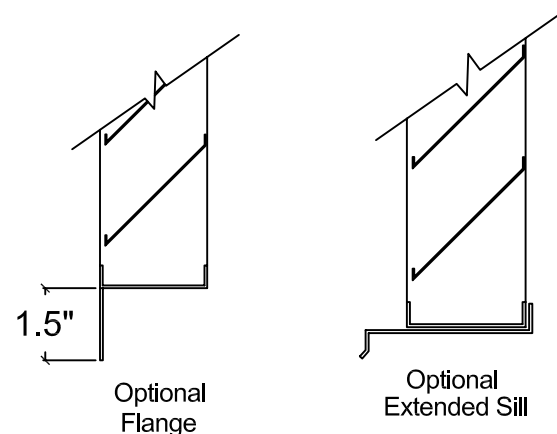
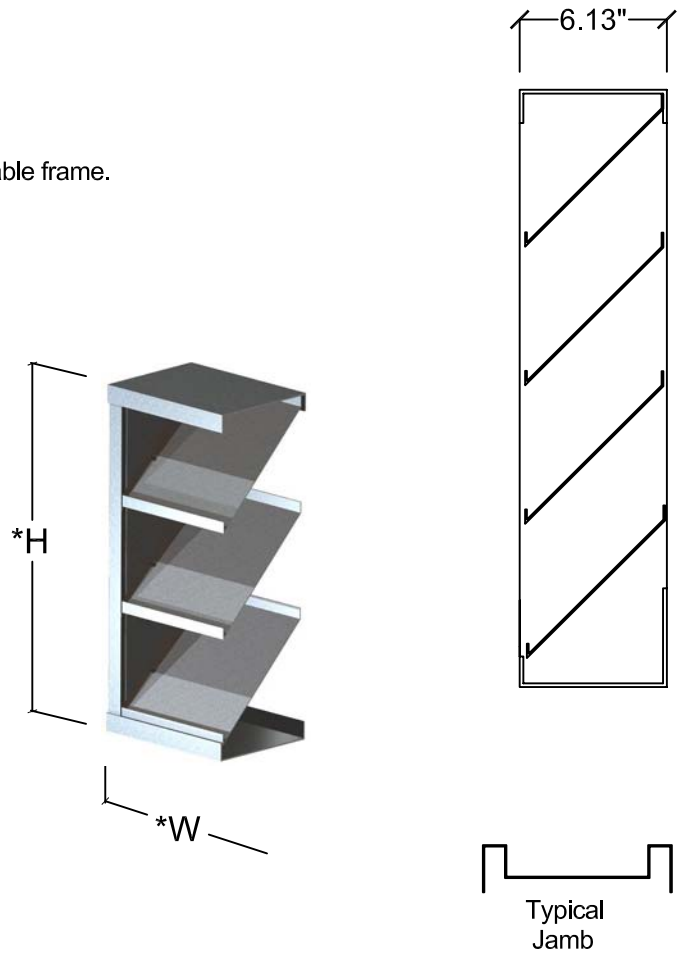
- FRAME:** 18 ga. galvanized steel, 6.13" deep
- BLADES:** Drainable, 18 ga. galvanized steel, positioned at 45° angles on approximately 5.88" centers.
- BIRDSCREEN:** .50" x .050" Expanded flattened alum. in removable frame.  
Screen is mounted on inside (rear)
- FINISH:** Mill Galvanized
- MINIMUM SIZE:** 8"w x 12"h
- MAXIMUM SECTION SIZE:** 96"w x 72"h  
Larger sizes made in multiple sections.

**OPTIONS:**

- Flanged Frame (1.5" std.)
- Custom Flange (1", 2" , or 3")
- Extended Sill
- Insect Screen (Other Screens Available, See Screen Page)
- Filter Racks (no screen)
- Security Bars
- Hinged Sub Frame
- Welded Construction
- Blank-off, Steel, non-insulated, no screen, non-removeable
- Blank-off, Steel, non-insulated, with bird screen or insect screen
- Blank-off, Steel, insulated double wall, with bird screen, removable
- Blank-off, Steel, insulated double wall, no screen, non-removeable
- Aluminum Construction
- 304 Stainless Steel Const.     316 Stainless Steel Const.

**AVAILABLE FINISHES:**

- Powder Polyester TGIC** (2 coats) baked on at 410°F, 2.5 to 3.5 mils Meets AAMA-2603 Standards
- Powder Super durable polyester** (2 coats) baked on at 410°F, 2.5 to 3.5 mils Meets AAMA-2604-05 Standards
- Acrylic baked enamel** (ACRA-BOND® ULTRA) by AkzoNobel baked on at 350°F, 0.8 to 1.2 mils dry Meets AAMA-2603 Standards
- Kynar®** (ALUM\*A\*STAR®) 2 coats by AkzoNobel baked on at 450°F, 1.2 to 1.6 mils dry Meets AAMA-2604-05 Standards
- Kynar 500®** or **HYLAR® 5000 70% TRINAR®** (2 coats) by AkzoNobel baked on at 450°F, 1.2 to 1.6 mils dry, Meets AAMA-2605-05 Standards
- Kynar 500®** or **HYLAR® 5000 (70% Tri-Escent II)** (2 coats) by AkzoNobel, a superior finish to other metallic or anodized finishes. A blend of mica, ceramic, and inorganic pigments creates subtle yet dazzling design that goes beyond metallic color without the requirement of a clear coat. 14 standard colors - custom colors available. Baked on at 415°F, 1.4 to 1.8 mils dry, meets AAMA 2605-05.
- Clear Anodize** 204 R-1 Class II (AA-C22A31)(0.4 to 0.7 mil)
- Clear Anodize** 215 R-1 Class I (AA-C22A41)(>0.7 mil)
- Integral Color Anodize** (AA-C22A42)(>0.7 mil)
  - Clear coat available for all above finishes.
  - Hylar® 5000 is a registered trademark of Solvay Solexis, Inc.
  - Kynar® 500 is a registered trademark of Arkema.
  - ALUM\*A\*STAR® 50 and TRINAR® are registered trademarks of AkzoNobel
  - ACRA-BOND® ULTRA is a registered trademark of AkzoNobel



\*W & H dimensions furnished approximately 1/4" under size.

Due to continuing research, United Enertech reserves the right to change specifications without notice.

		3005 South Hickory Street Chattanooga, Tennessee 37407 Tel: (423) 698-7715 Fax: (423) 698-6629 <a href="http://www.unitedenertech.com">www.unitedenertech.com</a>			
		<p><b>MODEL SFL-D-6 (6" FIXED/DRAINABLE STEEL LOUVER)</b></p>			
DRAWN BY:	DATE:	REV. DATE:	REV. NO.	APPROVED BY:	DWG. NO.:
MHM	4-1-10	5-20-10	1	BGT	A-12